



CF8524 XTREME DUTY • 8YR
LED 4' LINEAR HIGH BAY
HIGH-BAY LUMINAIRES FOR COMMERCIAL AND INDUSTRIAL BUILDINGS

FEATURES

- High lumen output - bright and high lumen per watt.
- Integrated LED - maintenance free.
- Replaces HID and fluorescent fixtures.
- Wide beam angle - uniform light distribution.
- All steel surfaces are painted after fabrication for smooth edges and rounded corners.

MOUNTING

Designed for suspended or pendent mounting.

APPLICATION

Larger warehouses, retail applications, commercial buildings and work areas.

ELECTRICAL

Wattage	223W
Voltage	347-480V
Current	1.75A
Power Factor	0.9
Total Harmonic Distortion (THD)	10

LIGHTING PERFORMANCE

Lumens	29213
Lumens Per Watt (LPW)	131
Color Temperature (CCT)	5000K
Color Rendering (CRI)	80
R9 (Red Value)	N/A
R13 (Skin Tones)	N/A
Beam Angle	120°
Light Distribution	Type VS
Dimmable Lighting Control	<i>Dimmable</i> 0-10V, Range 10% - 100%

ENVIRONMENT

Operating Temperature	-4° ~ 122°F
Suitable Location	DAMP
Ingress Protection Rating	IP40

LIFESPAN

Average Life (Hours)	50,000
Warranty (Years)	8

COMPONENTS

LED Light Source	Seoul 3528
Driver	VEL100240HVHDA (2 ea.)

CONSTRUCTION

Housing	24 Gauge C.R.S.
Lens	Acrylic (PMMA)
Base / Power Supply	Hard Wired
Finish	White

QUALIFICATIONS

Model Number	55365
--------------	-------



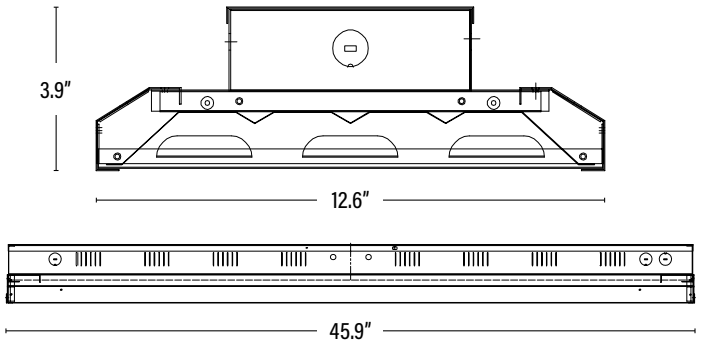
Manufactured by P.Q.L., Inc. - Published lumens on LED products are approximate and may vary slightly. - Specifications are subject to change without notice.

CF8524 XTREME DUTY • 8YR LED 4' LINEAR HIGH BAY



ITEM INFORMATION

DIMENSIONS (Inches)	
Length	45.9"
Width	12.6"
Height	3.9"
Net Weight (Lbs)	--
Chain Length	41.3" (2 ea.)



PACKAGING	UPC	DIMENSIONS (LxWxH)	GROSS WEIGHT (Lbs)	
Master Carton	1	811768022346	47.1" x 13" x 4.2"	20.7
Country of Origin	China			
HS Tariff	9405.10.6020			

ORDERING			CASE
ITEM#	DESCRIPTION		
CF8524	LED 4FT LINEAR HIGH BAY/223W/50K/DIMM/480V		1

Manufactured by P.Q.L., Inc. - Manufacturer Model # 55365

ADDITIONAL INFORMATION:

Note: When using an Emergency Pack with the fixture, cable mounting is recommended to control the balance of the fixture.