



CMCX30 XTREME DUTY • 7YR
LED SPEC-SELECT™
COMMERCIAL MODULE
INDOOR FIXTURE

15+ FIXTURES IN 1

PLUS ADJUSTABLE FROM SPOT TO FLOOD!

Spec-Select™ Commercial Module features adjustable wattage and color temperature for the perfect balance of light in any application.

- Adjustable beam angle 24°-45°
- Energy efficient
- Easy installation
- Title 24 - JA8 Compliant.

APPLICATION

Ideal for new construction and retrofitting inefficient fixtures in malls, hospitals, airports, offices, lobbies and other commercial applications.

LED COMMERCIAL MODULE + TRIM

Trim required, sold separately. 4 different trim sizes available.



ELECTRICAL

Wattage	20W / 25W / 30W
Voltage	120-277V
Current	0.164A-0.23A
Power Factor	0.9
Total Harmonic Distortion (THD)	20

LIGHTING PERFORMANCE

Lumens	1500-2102
Lumens Per Watt (LPW)	65-70
Color Temperature (CCT)	27K / 30K / 35K / 40K / 50K
Color Rendering (CRI)	91
R9 (Red Value)	47-76
R13 (Skin Tones)	92-96
Beam Angle	24°-45°
Light Distribution	Type VS
BUG Rating (Backlight, Uplight, and Glare)	B2 - U2 - G0
Dimmable Lighting Control	<i>Dimmable</i> 0-10V, Range 10% - 100%

ENVIRONMENT

Operating Temperature	-13 ~ 104°F
Suitable Location	WET
Ingress Protection Rating	IP54

LIFESPAN

Average Life (Hours)	50,000
Warranty (Years)	7

COMPONENTS

LED Light Source	Samsung
Driver	Internal Non-Replaceable

CONSTRUCTION

Housing	PC
Lens	Frosted
Base / Power Supply	Hard Wired
Finish	Black

QUALIFICATIONS

Model Number	SSMOD4-30W-90-K
--------------	-----------------



Manufactured by P.Q.L., Inc. - Visit www.energystar.gov to confirm Energy Star qualification - Published lumens on LED products are approximate and may vary slightly. - Specifications are subject to change without notice.

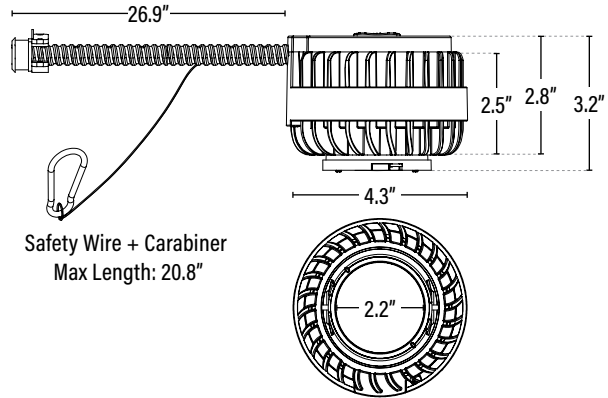
CMCX30 XTREME DUTY • 7YR LED SPEC-SELECT™ COMMERCIAL MODULE



ITEM INFORMATION

DIMENSIONS (Inches)

Length (MOL)	3.2"
Width/Diameter (MOD)	4.3"
Net Weight (Lbs)	2



PACKAGING

		UPC	DIMENSIONS (LxWxH)	GROSS WEIGHT (Lbs)
Master Carton	6	10811768020332	19.1" x 15.2" x 6.1"	16.3
Individual Box	1	811768020335	7.2" x 6.1" x 5"	2.7
Country of Origin	China			
HS Tariff	--			

ORDERING

ITEM#	DESCRIPTION	JA8	CASE
CMCX30	LED SPEC-SELECT™ COMMERCIAL MODULE/20-25-30W/27-50K/24-45°/DIMM/120-277V - ENERGY STAR®	Yes	6

Manufactured by P.Q.L., Inc. - Manufacturer Model # SSMOD4-30W-90-K

ADDITIONAL INFORMATION:

- Trim is not included with the module, it is ordered as a separate item number. A trim must be purchased for proper installation.
- Default settings; 20W, 5000K.
- Wattage and color temperature can be adjusted using the two slide switches on the back for the LED module engine. (Fig. A)
- Beam angle can be adjusted from 24°-45° by rotating the area around the lens of the module. (Fig. B)

