



**LDS22 COMMERCIAL DUTY • 5YR
LED 2X2 SPEC-SELECT™
DESIGNER TROFFER**
2X2 LUMINARIES FOR AMBIENT LIGHTING OF
INTERIOR COMMERCIAL SPACES

FEATURES

Spec-Select™ Designer Troffers feature adjustable wattage and color temperature for the perfect balance of light in any application.

- Die form cold-rolled steel housing
- Energy efficient
- No flickering
- Designed for T-grid ceilings or chain mounting

APPLICATION

Offices, hospitals, retail stores, schools lobbies and commercial buildings and work areas.

ELECTRICAL

Wattage	27W / 36W
Voltage	120-277V
Power Factor	0.9
Total Harmonic Distortion (THD)	<20

LIGHTING PERFORMANCE

Lumens	3750-4500
Lumens Per Watt (Lm/W)	125
Color Temperature (CCT)	3500K / 4000K / 5000K
Color Rendering (CRI)	83
R9 (Red Value)	12
R13 (Skin Tones)	84 / 85
Beam Angle	100°
Light Distribution	Type VS
BUG Rating (Backlight, Uplight, and Glare)	B2-U1-G1
Dimmable Lighting Control	<i>Dimmable</i> 0-10V, Range 10% - 100%

ENVIRONMENT

Operating Temperature	5 ~ 113°F
Suitable Location	DAMP
Ingress Protection Rating	IP40

LIFESPAN

Average Life (Hours)	50,000
Warranty (Years)	5

COMPONENTS

LED Light Source	Runlite 2835
Driver	BQE45C-0930-40

CONSTRUCTION

Housing	23 Gauge Cold Rolled Steel
Lens	Frosted Acrylic
Base / Power Supply	Hard Wired
Finish	High Gloss Baked White

QUALIFICATIONS

Manufacturer Model #	55586
----------------------	-------



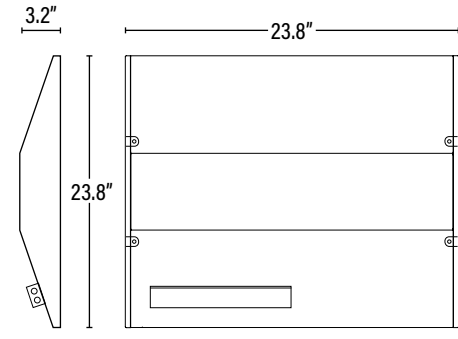
Manufactured by P.Q.L., Inc. • Published lumens on LED products are approximate and may vary slightly. • Specifications are subject to change without notice.

LDT522 COMMERCIAL DUTY • 5YR LED 2X2 SPEC-SELECT™ DESIGNER TROFFER



ITEM INFORMATION

DIMENSIONS (Inches)	
Length	23.8"
Width	23.8"
Height	3.2"
Net Weight (Lbs)	--



PACKAGING	UPC	DIMENSIONS (LxWxH)	GROSS WEIGHT (Lbs)
Master Carton	811768026306	25.4" x 25.2" x 3.9"	9.9
Country of Origin	China		
HS Tariff	--		

ITEM#	DESCRIPTION	CASE
LDT522	LED 2X2 SPEC-SELECT™ DESIGNER TROFFER - 27/36W/35/40/50K/120-277V/DIMMABLE	1

Manufactured by P.Q.L., Inc. - Manufacturer Model # 55586

ADDITIONAL INFORMATION:

- Default settings; 36W, 5000K.
- The color temperature and wattage may be adjusted by two slide switches integrated into the driver. The color temperature and wattage should be selected prior to installation.

