



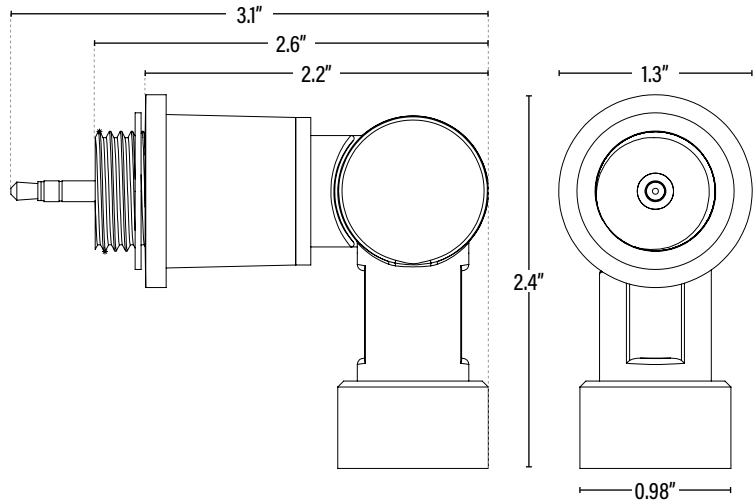
**LVELBO COMMERCIAL DUTY • 2YR  
QUICK CONNECT ADJUSTABLE ELBOW  
ACCESSORY**

**APPLICATION**

Swivel quick connect adjustable elbow for select ISO fixtures that use sensors LVSEN1 or LVSEN2.

**DIMENSIONS** (Inches)

Length	3.1"
Width	1.3"
Height	2.4"
Net Weight (Lbs)	--



**PACKAGING**

Master Carton	100
Individual Item	1
Country of Origin	China
HS Tariff	--

**UPC**

10811768023562
811768023565

**DIMENSIONS** (LxWxH)

16.5" x 16.5" x 7.3"
3.1" x 3.1" x 1.6"

**GROSS WEIGHT** (Lbs)

--
--

**ORDERING**

ITEM#	DESCRIPTION	CASE
LVELBO	EXTERNAL SWIVEL QUICK CONNECT ADJUSTABLE ELBOW	100

**COMPATIBLE SENSORS**

LVSEN1	BI-LEVEL PIR MOTION & DAYLIGHT SCREW-IN SENSOR FOR ISO STRIPS & VAPOR TIGHTS/40FT • REQUIRES 12-24VDC AUX	100
LVSEN2	BI-LEVEL MICROWAVE MOTION & DAYLIGHT SCREW-IN SENSOR FOR ISO STRIPS & VAPOR TIGHTS/40FT • REQUIRES 12-24VDC AUX	100