



**CFC305 XTREME DUTY • 7YR
LED STEALTH™ CUTOFF WALL PACK**
OUTDOOR NON-CUTOFF AND SEMI-CUTOFF
WALL-MOUNTED AREA LUMINARIES

FEATURES

- Replaces 100-250W traditional HID wall packs
- Durable weather resistant, die casting housing
- UV resistant polycarbonate optical lens
- Light weight
- Easy installation


APPLICATION

Ideal for security, walkways and perimeter lighting.

ELECTRICAL

Wattage	30W
Voltage	120-347V
Current	0.45A
Power Factor	0.9
Total Harmonic Distortion (THD)	17.3

LIGHTING PERFORMANCE

Lumens	4076
Lumens Per Watt (Lm/W)	135
Color Temperature (CCT)	5000K
Color Rendering (CRI)	70
R9 (Red Value)	N/A
R13 (Skin Tones)	N/A
Beam Angle	Type III
Light Distribution	Type III, Medium
BUG Rating 120-277V (Backlight, Uplight, and Glare)	B1 - U2 - G1
BUG Rating 347V (Backlight, Uplight, and Glare)	B1 - U1 - G1
Dimmable Lighting Control	

ENVIRONMENT

Operating Temperature	-22° ~ 113°F
Suitable Location	WET
Ingress Protection Rating	IP65

LIFESPAN

Average Life (Hours)	50,000
Warranty (Years)	7

COMPONENTS

LED Light Source	LumiLED 3030
Driver	WP-HHA-030B

CONSTRUCTION

Housing	Die-Cast Aluminum
Lens	PC
Base / Power Supply	Hard Wired
Finish	Bronze

QUALIFICATIONS

Model Number	STLWP-30-347-[D,P,M]-50K
--------------	--------------------------



Manufactured by P.Q.L., Inc. • Published lumens on LED products are approximate and may vary slightly. • Specifications are subject to change without notice.

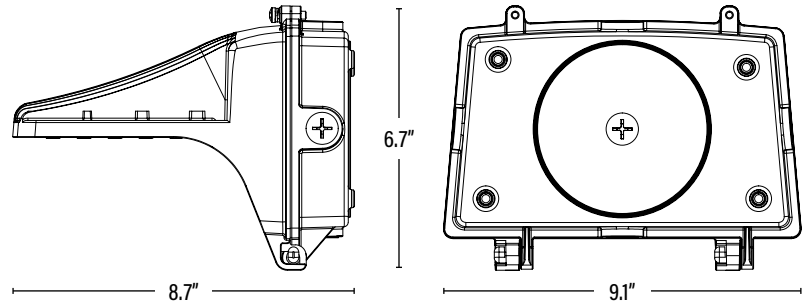
CFC305 XTREME DUTY • 7YR LED STEALTH™ CUTOFF WALL PACK



ITEM INFORMATION

DIMENSIONS (Inches)

Length	8.7"
Width	9.1"
Height	6.7"
Net Weight (Lbs)	3.5



PACKAGING

		UPC	DIMENSIONS (LxWxH)	GROSS WEIGHT (Lbs)
Master Carton	1	811768029352	10.2" x 7.9" x 10.4"	4.6
Country of Origin	China			
HS Tariff	9405.10.6020			

ORDERING

ITEM#	DESCRIPTION	CASE
CFC305	LED STEALTH™ FULL CUTOFF WALL PACK 30W/50K/120-347V/BRONZE	1

Manufactured by P.Q.L., Inc. - Manufacturer Model # STLWP-30-347-[D,P,M]-50K

ACCESSORIES

LFC002	MICROWAVE MOTION SENSOR FOR LED STEALTH™ FULL CUTOFF WALL PACK/12-24vDC	200
LFC004*	EM BATTERY FOR LED STEALTH™ FULL CUTOFF WALL PACK 4W/90 MIN/120-277V	50

ADDITIONAL INFORMATION:

*Make sure voltage does not exceed the rating of the accessory.

Note: To prevent water damage which may shorten the life of an exterior mounted fixture; the fixture should be properly weather sealed according to the installation instructions or between the fixture base and mounting surface. Damage due to improper installation may void the warranty.