



**CC3100 XTREME DUTY • 8YR**  
**LED COMPASS HIGH BAY**  
HIGH-BAY LUMINAIRES FOR COMMERCIAL AND INDUSTRIAL BUILDINGS

**FEATURES**

- Die cast aluminum for better heat dissipation
- Dust proof and anti-corrosive
- Modern design
- High efficiency driver with built-in surge protection

**APPLICATION**

Ideal for commercial and industrial applications; malls, warehouses, factories, retail stores, athletic facilities, workshops, airports, and large areas.

**ELECTRICAL**

Wattage	98W
Voltage	100-277V
Power Factor	0.9
Total Harmonic Distortion (THD)	9.5

**LIGHTING PERFORMANCE**

Lumens	14208
Lumens Per Watt (Lm/W)	144
Color Temperature (CCT)	5000K
Color Rendering (CRI)	85
R9 (Red Value)	19
Beam Angle	110°
Light Distribution	Type VS
BUG Rating (Backlight, Uplight, and Glare)	B4 - U2 - G1
Dimmable Lighting Control	<i>Dimmable</i> 0-10V, Range 10% - 100%

**ENVIRONMENT**

Operating Temperature	-22°~ 122°F
Suitable Location	<b>WET</b>
Ingress Protection Rating	IP65

**LIFESPAN**

Average Life (Hours)	50,000
Warranty (Years)	<b>8</b>

**COMPONENTS**

LED Light Source	Seoul
Driver	LF-FHB100YAIV

**CONSTRUCTION**

Housing	Aluminum
Lens	PC
Base / Power Supply	Hard Wired
Finish	Black

**QUALIFICATIONS**

Model Number	CHB3-100-D-MV-50K
--------------	-------------------



Manufactured by P.Q.L., Inc. • Published lumens on LED products are approximate and may vary slightly. • Specifications are subject to change without notice.

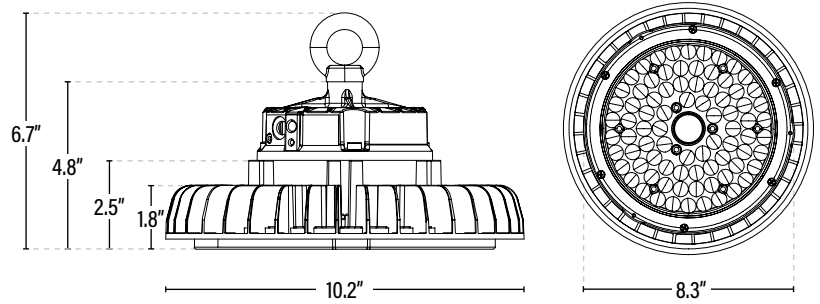
# CC3100 XTREME DUTY • 8YR LED COMPASS HIGH BAY



ITEM INFORMATION

### DIMENSIONS (Inches)

Width/Diameter (MOD)	10.2"
Height	6.7"
Net Weight (Lbs)	--



### PACKAGING

	UPC	DIMENSIONS (LxWxH)	GROSS WEIGHT (Lbs)
Master Carton	1	811768028096	--
Country of Origin	China		
HS Tariff	9405.10.6020		

### ORDERING

ITEM#	DESCRIPTION	CASE
CC3100	LED COMPASS HIGH BAY/100W/50K/DIMM/100-277V/BLK	1

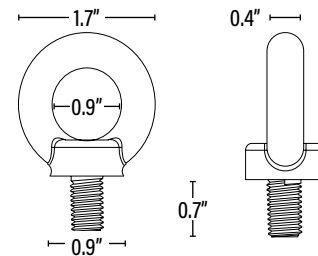
*Manufactured by P.Q.L., Inc. - Manufacturer Model # CHB3-100-D-MV-50K*

### ACCESSORIES

LHMTB	ADJUSTABLE ANGLE MOUNTING BRACKET FOR COMPASS HIGH BAY	20
LHSEN	MICROWAVE MOTION SENSOR FOR COMPASS HIGH BAY/100-277V 1-10V DIMM/KIT	10
LHAL16	16" ALUMINUM REFLECTOR FOR COMPASS HIGH BAY	1
LHPA16	16" ACRYLIC REFLECTOR FOR COMPASS HIGH BAY	1
LHBL16	16" ACRYLIC BOTTOM LENS FOR ACRYLIC REFLECTOR FOR COMPASS HIGH BAY	1

### ADDITIONAL INFORMATION:

- Safety rope length approximately 5' 9"
- Power and dimming cord length approximately 72"
- Multiple screw holes are conveniently placed throughout the top of the fixture to connect occupancy sensors and reflectors.



**M10**  
Eyelet Dimensions