



CC3200 XTREME DUTY • 8YR
LED COMPASS HIGH BAY
HIGH-BAY LUMINAIRES FOR COMMERCIAL AND INDUSTRIAL BUILDINGS

FEATURES

- Die cast aluminum for better heat dissipation
- Dust proof and anti-corrosive
- Modern design
- High efficiency driver with built-in surge protection

APPLICATION

Ideal for commercial and industrial applications; malls, warehouses, factories, retail stores, athletic facilities, workshops, airports, and large areas.

ELECTRICAL

| | |
|---------------------------------|----------|
| Wattage | 199W |
| Voltage | 100-277V |
| Power Factor | 0.9 |
| Total Harmonic Distortion (THD) | 5.3 |

LIGHTING PERFORMANCE

| | |
|--|--|
| Lumens | 28841 |
| Lumens Per Watt (Lm/W) | 145 |
| Color Temperature (CCT) | 5000K |
| Color Rendering (CRI) | 85 |
| R9 (Red Value) | 17 |
| Beam Angle | 110° |
| Light Distribution | Type VS |
| BUG Rating (Backlight, Uplight, and Glare) | B5 - U2 - G1 |
| Dimmable Lighting Control | <i>Dimmable</i> 0-10V, Range 10% - 100% |

ENVIRONMENT

| | |
|---------------------------|-------------|
| Operating Temperature | -22°~ 122°F |
| Suitable Location | WET |
| Ingress Protection Rating | IP65 |

LIFESPAN

| | |
|----------------------|----------|
| Average Life (Hours) | 50,000 |
| Warranty (Years) | 8 |

COMPONENTS

| | |
|------------------|---------------|
| LED Light Source | Seoul |
| Driver | LF-FHB200YAIV |

CONSTRUCTION

| | |
|---------------------|------------|
| Housing | Aluminum |
| Lens | PC |
| Base / Power Supply | Hard Wired |
| Finish | Black |

QUALIFICATIONS

| | |
|--------------|-------------------|
| Model Number | CHB3-200-D-MV-50K |
|--------------|-------------------|



Manufactured by P.Q.L., Inc. • Published lumens on LED products are approximate and may vary slightly. • Specifications are subject to change without notice.

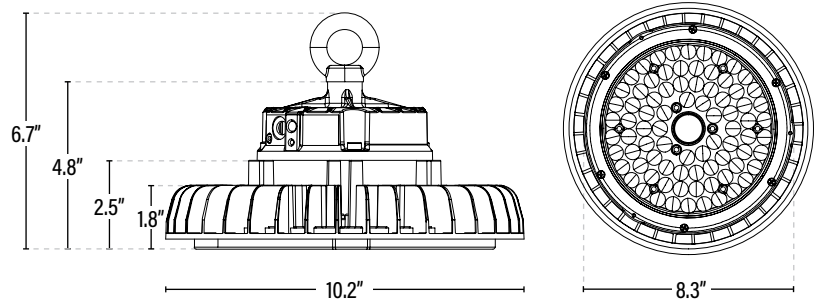
CC3200 XTREME DUTY • 8YR LED COMPASS HIGH BAY



ITEM INFORMATION

DIMENSIONS (Inches)

| | |
|----------------------|-------|
| Width/Diameter (MOD) | 10.2" |
| Height | 6.7" |
| Net Weight (Lbs) | -- |



PACKAGING

| | UPC | DIMENSIONS (LxWxH) | GROSS WEIGHT (Lbs) |
|-------------------|--------------|--------------------|--------------------|
| Master Carton | 1 | 811768020779 | -- |
| Country of Origin | China | | |
| HS Tariff | 9405.10.6020 | | |

ORDERING

| ITEM# | DESCRIPTION | CASE |
|--------|---|------|
| CC3200 | LED COMPASS HIGH BAY/200W/50K/DIMM/100-277V/BLK | 1 |

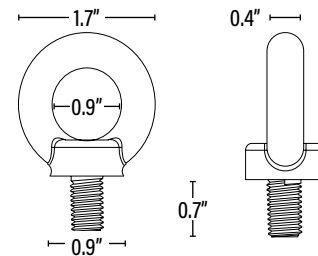
Manufactured by P.Q.L., Inc. - Manufacturer Model # CHB3-200-D-MV-50K

ACCESSORIES

| | | |
|--------|--|----|
| LHMTB | ADJUSTABLE ANGLE MOUNTING BRACKET FOR COMPASS HIGH BAY | 20 |
| LHSEN | MICROWAVE MOTION SENSOR FOR COMPASS HIGH BAY/100-277V 1-10V DIMM/KIT | 10 |
| LHAL16 | 16" ALUMINUM REFLECTOR FOR COMPASS HIGH BAY | 1 |
| LHPA16 | 16" ACRYLIC REFLECTOR FOR COMPASS HIGH BAY | 1 |
| LHBL16 | 16" ACRYLIC BOTTOM LENS FOR ACRYLIC REFLECTOR FOR COMPASS HIGH BAY | 1 |

ADDITIONAL INFORMATION:

- Safety rope length approximately 5' 9"
- Power and dimming cord length approximately 72"
- Multiple screw holes are conveniently placed throughout the top of the fixture to connect occupancy sensors and reflectors.



M10
Eyelet Dimensions