



CVX454 XTREME DUTY • 7YR
LED 4' SPEC-SELECT™ VAPOR TIGHT
DIRECT LINEAR AMBIENT LUMINARIES

FEATURES

Spec-Select™ Vapor Tights are like 9 fixtures in 1, featuring adjustable wattage and color temperature for the perfect balance of light in any application.

- Adjustable Wattage (3 settings)
- Adjustable Color (3 settings)
- Integrated Sensor Option (ISO). Sensor and elbow sold separately.
- 5VA housing, meets highest UL94 Standards.
- Liquid silicone perimeter gasket formed to housing provides a seamless seal and protects from dust and humidity.
- Stainless steel clips.
- Sufficient knockouts are available.

APPLICATION

Ideal for commercial and industrial environments; tunnels, stairwells, parking garages, cold storage, and airports. *Not designed for use in car washes, truck wash bays, or where exposed to harsh chemicals.*

ELECTRICAL

| | |
|---------------------------------|--------------------|
| Wattage | 38W / 46W / 54W |
| Voltage | 120-277V |
| Current | 54W @ 120V = 0.45A |
| Power Factor | 0.9 |
| Total Harmonic Distortion (THD) | 4.8 |

LIGHTING PERFORMANCE

| | |
|--|---|
| Lumens | 5054 / 6118 / 7182 |
| Lumens Per Watt (LPW) | 133 |
| Color Temperature (CCT) | 3500K / 4100K / 5000K |
| Color Rendering (CRI) | 82 |
| R9 (Red Value) | 6 |
| Beam Angle | 120° |
| Light Distribution | Type VS |
| BUG Rating (Backlight, Uplight, and Glare) | B2 - U3 - G2 |
| Dimmable Lighting Control | From optional 12VDC sensor, or customer 0-10V controls. |

ENVIRONMENT

| | |
|---|--------------|
| Operating Temperature (Suspended at least 18" from ceiling) | -40° ~ 113°F |
| Operating Temperature (Surface Mount) | -40° ~ 104°F |
| Suitable Location | WET |
| Ingress Protection Rating | IP65 |

LIFESPAN

| | |
|----------------------|----------|
| Average Life (Hours) | 50,000 |
| Warranty (Years) | 7 |

COMPONENTS

| | |
|------------------|----------------|
| LED Light Source | Bridgelux |
| Driver | SIL50-I1200-SS |
| Sensor Socket | 12VDC AUX. |

CONSTRUCTION

| | |
|---------------------|---------------|
| Housing | Polycarbonate |
| Lens | Frosted |
| Base / Power Supply | Hard Wired |
| Finish | White |

QUALIFICATIONS

| | |
|----------------------|-------|
| Manufacturer Model # | 55685 |
|----------------------|-------|



Published lumens on LED products are approximate and may vary slightly. • Specifications are subject to change without notice.

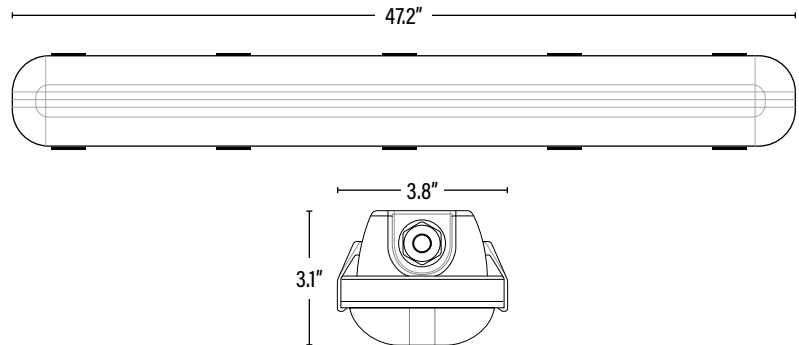
CVX454 XTREME DUTY • 7YR LED 4' SPEC-SELECT™ VAPOR TIGHT



ITEM INFORMATION

DIMENSIONS (Inches)

| | |
|------------------|-------|
| Length | 47.2" |
| Width | 3.8" |
| Height | 3.1" |
| Net Weight (Lbs) | 4.6 |



| PACKAGING | | UPC | DIMENSIONS (LxWxH) | GROSS WEIGHT (Lbs) |
|-------------------|-------|----------------|---------------------|--------------------|
| Master Carton | 4 | 10854432004689 | 49.5" x 8.5" x 7.1" | -- |
| Individual Box | 1 | 854432004682 | 48.6" x 3.9" x 3.2" | -- |
| Country of Origin | China | | | |
| HS Tariff | -- | | | |

ORDERING

| ITEM# | DESCRIPTION | CASE |
|--------|---|------|
| CVX454 | LED 4FT SPEC-SELECT™ VAPOR TIGHT/38-46-54W/35-50K/DIMM/ISO/120-277V | 4 |

Manufactured by P.Q.L., Inc. - Manufacturer Model # 55685

ACCESSORIES

| | | |
|--------|--|-----|
| LVSEN1 | BI-LEVEL PIR MOTION & DAYLIGHT SCREW-IN SENSOR FOR ISO STRIPS & VAPOR TIGHTS/40FT (REQUIRES 12-24VDC AUX & ELBOW #LVELB0) | 100 |
| LVSEN2 | BI-LEVEL MICROWAVE MOTION & DAYLIGHT SCREW-IN SENSOR FOR ISO STRIPS & VAPOR TIGHTS/40FT (REQUIRES 12-24VDC AUX & ELBOW #LVELB0) | 100 |
| LVELB0 | EXTERNAL SWIVEL QUICK CONNECT ELBOW (For best sensor performance.) | 100 |

ADDITIONAL INFORMATION:

- Default settings; 38W, 5000K.
- The color temperature and wattage may be adjusted by two slide switches integrated into the driver. For additional information refer to the install instructions.

