



**SELECTABLE WATTAGE & CCT**



**CDX596** XTREME DUTY • 7YR  
**LED 8' SPEC-SELECT™**  
**DESIGNER STRIP**  
DIRECT LINEAR AMBIENT LUMINARIES

**FEATURES**

Spec-Select™ Designer Strips feature adjustable wattage and color temperature for the perfect balance of light in any application.

- Energy efficient
- No flickering

**APPLICATION**

Ideal for larger warehouses, retail applications, commercial buildings and work areas.

**ELECTRICAL**

Wattage	38W / 46W / 54W
Voltage	120-277V
Current	0.45-0.19A
Power Factor	0.9
Total Harmonic Distortion (THD)	10

**LIGHTING PERFORMANCE**

Lumens	4940-7020
Lumens Per Watt (Lm/W)	130
Color Temperature (CCT)	3500K / 4100K / 5000K
Color Rendering (CRI)	82
R9 (Red Value)	8
R13 (Skin Tones)	83
Beam Angle	130°
Light Distribution	Very Short, Type II
Dimmable Lighting Control	<i>Dimmable</i> 0-10V, Range 10% - 100%

**ENVIRONMENT**

Operating Temperature	-4 ~ 113°F
Suitable Location	<b>DAMP</b>
Ingress Protection Rating	IP40

**LIFESPAN**

Average Life (Hours)	50,000
Warranty (Years)	<b>7</b>

**COMPONENTS**

LED Light Source	Seoul 3528
Driver	SIP50-I1200

**CONSTRUCTION**

Housing	Aluminum
Lens	Frosted
Base / Power Supply	Hard Wired
Finish	White

**QUALIFICATIONS**

Manufacturer Model #	55612
----------------------	-------



*Manufactured by P.Q.L., Inc. - Published lumens on LED products are approximate and may vary slightly. - Specifications are subject to change without notice.*

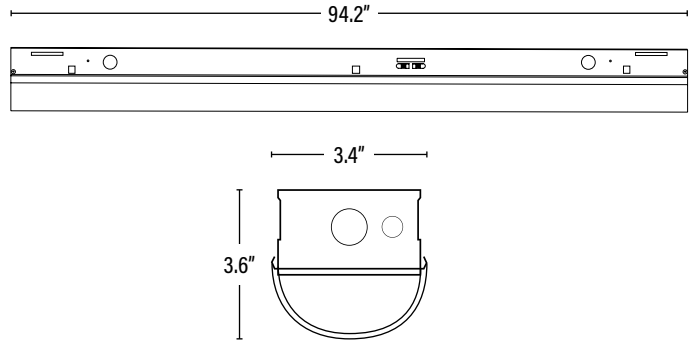
# CDX596 XTREME DUTY • 7YR LED 8' SPEC-SELECT™ DESIGNER STRIP



ITEM INFORMATION

### DIMENSIONS (Inches)

Length	94.2"
Width	3.4"
Height	3.6"
Net Weight (Lbs)	9



### PACKAGING

		UPC	DIMENSIONS (LxWxH)	GROSS WEIGHT (Lbs)
Master Carton	4	10811768028215	97.4" x 4.6" x 4.3"	55.1
Individual Box	1	811768028218	--	13.8
Country of Origin	Malaysia			
HS Tariff	--			

### ORDERING

ITEM#	DESCRIPTION	CASE
CDX596	LED 8' SPEC-SELECT™ DESIGNER STRIP - 38/46/54W/35-50K/120-277V/DIMMABLE	4

*Manufactured by P.Q.L., Inc. - Manufacturer Model # 55612*

### ACCESSORIES

LF3599	360° LOW/HIGH BAY FIXTURE OCCUPANCY PIR SENSOR 30' DIA, 8-40'HEIGHT 800W/1200W - 120/277V	50
LF3502	EMERGENCY PACK FOR LED FIXTURE 16W/90 MIN/SPLIT TYPE/L T20C (For use with drivers that are 100W or less.)	10

### ADDITIONAL INFORMATION:

- Default settings; 54W, 5000K.
- The color temperature and wattage may be adjusted by two slide switches integrated into the driver. The color temperature and wattage should be selected prior to installation.

