



**LDDX65** LT. COMMERCIAL • 5YR  
**LED SPEC-SELECT™ DUSK TO DAWN**  
OUTDOOR POLE/ARM-MOUNTED AREA AND  
ROADWAY LUMINAIRES

**FEATURES**

Spec-Select™ Dusk to Dawn feature adjustable wattage and color temperature for the perfect balance of light in any application.

- Corrosion resistant; cold forged aluminum housing.
- Photocell.
- Mounts directly to wall or with mounting arm (*Not included, sold separately*).

**APPLICATION**

Ideal for general area lighting, entry ways, pathways, loading docks and building security.

PERFORMANCE DATA

**ELECTRICAL**

Wattage	35W / 50W / 65W
Voltage	120-277V
Current	0.65A
Power Factor	0.9
Total Harmonic Distortion (THD)	15

**LIGHTING PERFORMANCE**

Lumens	4375-8125
Lumens Per Watt (Lm/W)	125
Color Temperature (CCT)	3000K / 4000K / 5000K
Color Rendering (CRI)	70
R9 (Red Value)	--
R13 (Skin Tones)	71 / 74 / 71
Beam Angle	140°
Light Distribution	Type VS
BUG Rating (Backlight, Uplight, and Glare)	B2 - U2 - G1
Dimmable Lighting Control	<i>Dimmable</i> 0-10V, Range 10% - 100%

**ENVIRONMENT**

Operating Temperature	-4° ~ 113°F
Suitable Location	<b>WET</b>
Ingress Protection Rating	IP66

**LIFESPAN**

Average Life (Hours)	50,000
Warranty (Years)	<b>5</b>

**COMPONENTS**

LED Light Source	SMD 2835
Driver (Non-Replaceable)	Internal

**CONSTRUCTION**

Housing	Aluminum / PC Lens
Base / Power Supply	Hard Wired
Finish	Bronze

**QUALIFICATIONS**

Model Number	SSDTD-35/50/65W-30/40/50K-MV
--------------	------------------------------



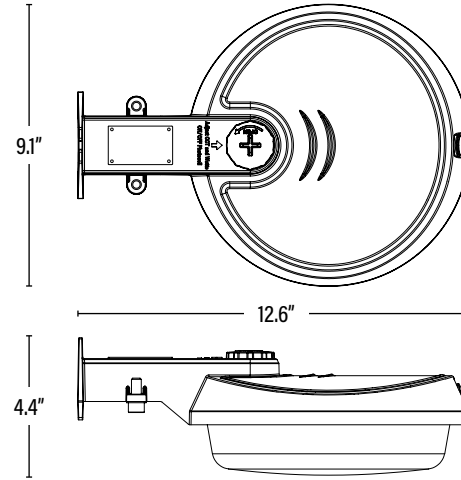
*Published lumens on LED products are approximate and may vary slightly. - Specifications are subject to change without notice.*

# LDDX65 LT. COMMERCIAL • 5YR LED SPEC-SELECT™ DUSK TO DAWN



ITEM INFORMATION

DIMENSIONS (Inches)	
Length	12.6"
Width	9.1"
Height	4.4"
Net Weight (Lbs)	3.3



PACKAGING	UPC	DIMENSIONS (LxWxH)	GROSS WEIGHT (Lbs)	
Master Carton	1	811768025651	14" x 10.6" x 5.3"	4.9
Country of Origin	China			
HS Tariff	9405.10.6020			

ORDERING		
ITEM#	DESCRIPTION	CASE
LDDX65	LED SPEC-SELECT™ 35/50/65W DUSK TO DAWN LIGHT/PHOTO CELL - 30/40/50K/120-277V/DIMMABLE/BRZ	1

*Manufactured by P.Q.L., Inc. - Manufacturer Model # SSDTD-35/50/65W-30/40/50K-MV*

ACCESSORIES		
LDDARM	MOUNTING ARM ONLY FOR LED SPEC-SELECT™ DUSK TO DAWN LIGHT	25