



SELECTABLE
COLOR
TEMPERATURE

LLT085 COMMERCIAL DUTY • 5YR
LED 2' TONE-SELECT™
LINEAR HIGH BAY

HIGH-BAY LUMINAIRES FOR COMMERCIAL
AND INDUSTRIAL BUILDINGS

FEATURES

- Selectable color temperature
- High lumen output - bright and high lumen per watt.
- Integrated LED - maintenance free.
- Replaces HID and fluorescent fixtures.
- Wide beam angle - uniform light distribution.
- All steel surfaces are painted after fabrication for smooth edges and rounded corners.

MOUNTING

Designed for suspended or pendent mounting.

APPLICATION

Larger warehouses, retail applications, commercial buildings and work areas.

ELECTRICAL

Wattage	85W
Voltage	120-277V
Current	0.70A
Power Factor	0.9
Total Harmonic Distortion (THD)	10

LIGHTING PERFORMANCE

Lumens	11475
Lumens Per Watt (LPW)	135
Color Temperature (CCT)	4000K / 5000K
Color Rendering (CRI)	82
R9 (Red Value)	-3
R13 (Skin Tones)	--
Beam Angle	120°
Light Distribution	--
BUG Rating (Backlight, Uplight, and Glare)	--
Dimmable Lighting Control	<i>Dimmable</i> 0-10V, Range 10% - 100%

ENVIRONMENT

Operating Temperature	-4° ~ 122°F
Suitable Location	DAMP
Ingress Protection Rating	IP40

LIFESPAN

Average Life (Hours)	50,000
Warranty (Years)	5

COMPONENTS

LED Light Source	Bridgelux
Driver	Simon

CONSTRUCTION

Housing	24 Gauge C.R.S.
Lens	Acrylic (PMMA)
Base / Power Supply	Hard Wired
Finish	White

QUALIFICATIONS

Model Number	55504
--------------	-------



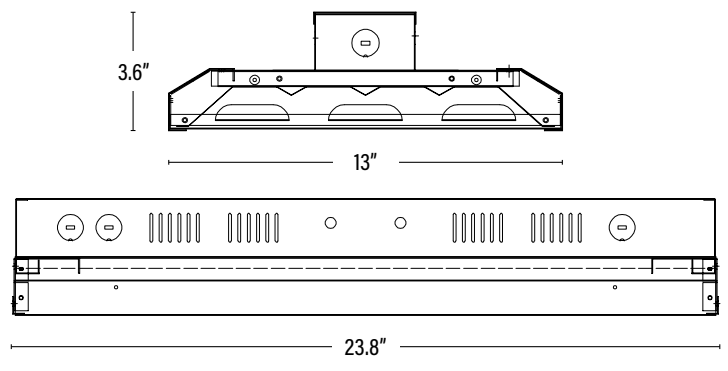
Manufactured by P.Q.L., Inc. • Published lumens on LED products are approximate and may vary slightly. • Specifications are subject to change without notice.

LLT085 COMMERCIAL DUTY • 5YR
LED 2' TONE-SELECT™ LINEAR HIGH BAY



ITEM INFORMATION

DIMENSIONS (Inches)	
Length	23.8"
Width	13"
Height	3.6"
Net Weight (Lbs)	10.1
Chain Length	41.34" (2 ea.)



PACKAGING	UPC	DIMENSIONS (LxWxH)	GROSS WEIGHT (Lbs)
Master Carton	1	811768021967	--
Country of Origin	China		
HS Tariff	9405.10.6020		

ITEM#	DESCRIPTION	CASE
LLT085	LED 2FT TONE-SELECT™ LINEAR HIGH BAY/85W/40-50K/DIMM/120-277V	1

Manufactured by P.Q.L., Inc. - Manufacturer Model # 55504

ACCESSORIES		
LF3599	360° LOW/HIGH BAY FIXTURE OCCUPANCY PIR SENSOR 30' DIA, 8-40' HEIGHT 800W/1200W • 120/277V	50

ADDITIONAL INFORMATION:

Note: When using an Emergency Pack with the fixture, cable mounting is recommended to control the balance of the fixture.