



LPT405 LT. COMMERCIAL • 5YR
LED DESIGNER POST TOP
OUTDOOR POLE/ARM-MOUNTED AREA AND
ROADWAY LUMINAIRES

FEATURES

- Compatible for standard 2 3/8" tenons.
- Replaces 175-320W HID fixtures.
- Elegant and modern appearance.
- Frosted lens for soft lighting with no glare.

APPLICATION

Walkway and building perimeter lighting. Can be used as flood or area light.

PERFORMANCE DATA

ELECTRICAL

Wattage	37W
Voltage	120-277V
Current	0.33A
Power Factor	0.9
Total Harmonic Distortion (THD)	20

LIGHTING PERFORMANCE

Lumens	4640
Lumens Per Watt (Lm/W)	125
Color Temperature (CCT)	5000K
Color Rendering (CRI)	70
R9 (Red Value)	-22
R13 (Skin Tones)	72
Beam Angle	105° x 105°
Light Distribution	Type II, Very Short
BUG Rating (Backlight, Uplight, and Glare)	B2 - U2 - G1

Dimmable Lighting Control



ENVIRONMENT

Operating Temperature	-40° ~ 104°F
Suitable Location	WET
Ingress Protection Rating	IP65

LIFESPAN

Average Life (Hours)	50,000
Warranty (Years)	5

COMPONENTS

LED Light Source	Luxeon 3030
Driver	WP-HHG-040U

CONSTRUCTION

Housing	Aluminum
Lens	Glass
Base / Power Supply	Hard Wired
Finish	Black

QUALIFICATIONS

Manufacturer Model #	83436
----------------------	-------



Manufactured by P.Q.L., Inc. • Published lumens on LED products are approximate and may vary slightly. • Specifications are subject to change without notice.

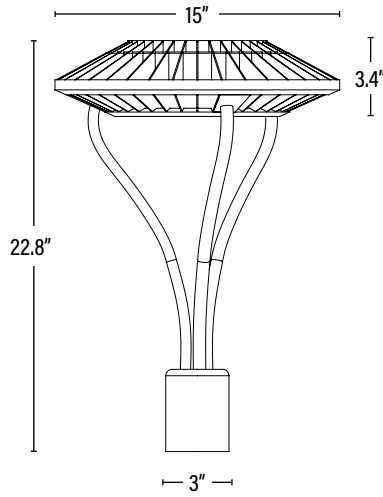
LPT405 LT. COMMERCIAL • 5YR LED DESIGNER POST TOP



ITEM INFORMATION

DIMENSIONS (Inches)

Length (MOL)	22.8"
Width/Diameter (MOD)	15"
Weight (Lbs)	11.5



PACKAGING		UPC	DIMENSIONS (LxWxH)	GROSS WEIGHT (Lbs)
Master Carton	1	899645001080	18.1" x 17.7" x 5.3"	11.5
Country of Origin	China			
HS Tariff	9405.10.6020			

ORDERING

ITEM#	DESCRIPTION	CASE
LPT405	LED DESIGNER POST TOP 40W/50K/120-277V/BLACK/V2	1

Manufactured by P.Q.L., Inc. - Manufacturer Model # 83436