



SELECTABLE  
WATTAGE

**LTPZWH COMMERCIAL DUTY • 5YR  
LED POWERZOOM™  
TRACK HEAD - H STYLE  
SPOT LIGHT ARCHITECTURAL LUMINARIES**

**FEATURES**

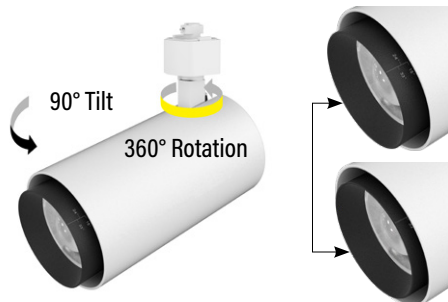
Powerzoom™ track lighting features adjustable wattage and beam angle for dynamic lighting in any application.

- Modern design, for a clean visual appearance
- Superior uniform light coverage
- Smooth zoom for precision light distribution
- Energy efficient
- No flickering
- 360° head rotation with 90° tilt

**APPLICATION**

Designed for a variety of applications; architectural, retail stores, offices, lobbies, museums.

**ADJUSTABLE LIGHTING**



Rotate lens to  
adjust beam angle  
from 15° to 33°

**ELECTRICAL**

Wattage	25W / 32W
Voltage	120V
Current	320mA Max.
Power Factor	0.9
Total Harmonic Distortion (THD)	15

**LIGHTING PERFORMANCE**

Lumens	2147-2961	
Lumens Per Watt (Lm/W)	86-93	
Color Temperature (CCT)	3500K	
Color Rendering (CRI)	90	
Beam Angle	15°-33°	
Light Distribution	25W: 24°	Very Short, Type 1
	25W / 32W	Type VS
BUG Rating (Backlight, Uplight, and Glare)	25W: 15° / 24°	B2 - Ux - G0
	25W / 32W	B3 - Ux - G0
Dimmable Lighting Control	Dimmable Triac/ELV Dimming	

**ENVIRONMENT**

Operating Temperature	-4 ~ 104°F
Suitable Location	<b>DRY</b>
Ingress Protection Rating	IP20
Fixture Type	Open

**LIFESPAN**

Average Life (Hours)	50,000
Warranty (Years)	<b>5</b>

**COMPONENTS**

LED Light Source	CLM-22-27-90-36-AC40
Driver (Non-Replaceable)	Internal

**CONSTRUCTION**

Housing	Aluminum
Base / Power Supply	H Style
Finish	White

**QUALIFICATIONS**

Manufacturer Model #	STR-32-H-35K-YY-WH
----------------------	--------------------



Manufactured by P.Q.L., Inc. - Published lumens on LED products are approximate and may vary slightly. - Specifications are subject to change without notice.

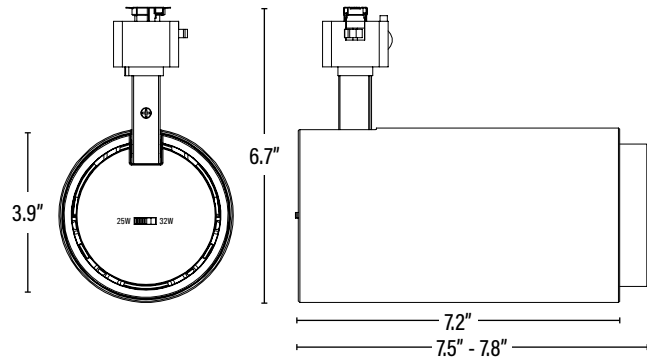
# LTPZWH COMMERCIAL DUTY • 5YR LED POWERZOOM™ TRACK HEAD - H STYLE



ITEM INFORMATION

### DIMENSIONS (Inches)

Length	7.8" Max.
Diameter/Width	3.9"
Height	6.7"
Net Weight (Lbs)	3.1



### PACKAGING

		UPC	DIMENSIONS (LxWxH)	GROSS WEIGHT (Lbs)
Master Carton	8	10854432004603	23.5" x 11.9" x 11.4"	29.7
Individual Box	1	854432004606	5.6" x 5.6" x 10.8"	3.7
Country of Origin	China			
HS Tariff	--			

### ORDERING

ITEM#	DESCRIPTION	CASE
LTPZWH	LED POWERZOOM™/25-32W/35K/DIMM/120V/WHT/H STYLE	8

Manufactured by P.Q.L., Inc. - Manufacturer Model # STR-32-H-35K-YY-WH

### ADDITIONAL INFORMATION:

- The wattage may be adjusted by the slide switches on the back of the track head.
- Compatible with H track types - *H type fitting is only compatible with single-circuit track types.*

