



LVX454 COMMERCIAL DUTY • 5YR
LED 4' SPEC-SELECT™ VAPOR TIGHT
DIRECT LINEAR AMBIENT LUMINARIES

FEATURES

Spec-Select™ Vapor Tights are like 9 fixtures in 1, featuring adjustable wattage and color temperature for the perfect balance of light in any application.

- Adjustable Wattage (3 settings)
- Adjustable Color (3 settings)
- Integrated Sensor Option (ISO). Sensor and elbow sold separately.
- 5VA housing, meets highest UL94 Standards.
- Liquid silicone perimeter gasket formed to housing provides a seamless seal and protects from dust and humidity.
- Stainless steel clips.
- Sufficient knockouts are available.

APPLICATION

Ideal for commercial and industrial environments; tunnels, stairwells, parking garages, cold storage, and airports. *Not designed for use in car washes, truck wash bays, or where exposed to harsh chemicals.*

ELECTRICAL

Wattage	38W / 46W / 54W
Voltage	120-277V
Current	54W @ 120V = 0.45A
Power Factor	0.9
Total Harmonic Distortion (THD)	4.8

LIGHTING PERFORMANCE

Lumens	5054 / 6118 / 7182
Lumens Per Watt (LPW)	133
Color Temperature (CCT)	3500K / 4100K / 5000K
Color Rendering (CRI)	82
R9 (Red Value)	6
Beam Angle	120°
Light Distribution	Type VS
BUG Rating (Backlight, Uplight, and Glare)	B2 - U3 - G2
Dimmable Lighting Control	From optional 12VDC sensor, or customer 0-10V controls.

ENVIRONMENT

Operating Temperature (Suspended at least 18" from ceiling)	-40° ~ 113°F
Operating Temperature (Surface Mount)	-40° ~ 104°F
Suitable Location	WET
Ingress Protection Rating	IP65

LIFESPAN

Average Life (Hours)	50,000
Warranty (Years)	5

COMPONENTS

LED Light Source	Bridgelux
Driver	SIL50-I1200-SS
Sensor Socket	12VDC AUX.

CONSTRUCTION

Housing	Polycarbonate
Lens	Frosted
Base / Power Supply	Hard Wired
Finish	White

QUALIFICATIONS

Manufacturer Model #	55685
----------------------	-------



Published lumens on LED products are approximate and may vary slightly. • Specifications are subject to change without notice.

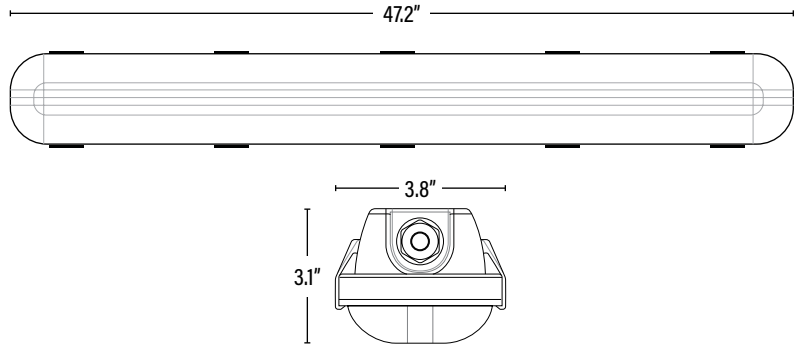
L VX454 COMMERCIAL DUTY • 5YR LED 4' SPEC-SELECT™ VAPOR TIGHT



ITEM INFORMATION

DIMENSIONS (Inches)

Length	47.2"
Width	3.8"
Height	3.1"
Net Weight (Lbs)	4.6



PACKAGING

		UPC	DIMENSIONS (LxWxH)	GROSS WEIGHT (Lbs)
Master Carton	4	10854432004689	49.5" x 8.5" x 7.1"	--
Individual Box	1	854432004682	48.6" x 3.9" x 3.2"	--
Country of Origin	China			
HS Tariff	--			

ORDERING

ITEM#	DESCRIPTION	CASE
L VX454	LED 4FT SPEC-SELECT™ VAPOR TIGHT/38-46-54W/35-50K/DIMM/ISO/120-277V	4

Manufactured by P.Q.L., Inc. - Manufacturer Model # 55685

ACCESSORIES

LVSEN1	BI-LEVEL PIR MOTION & DAYLIGHT SCREW-IN SENSOR FOR ISO STRIPS & VAPOR TIGHTS/40FT (REQUIRES 12-24VDC AUX & ELBOW #LVELB0)	100
LVSEN2	BI-LEVEL MICROWAVE MOTION & DAYLIGHT SCREW-IN SENSOR FOR ISO STRIPS & VAPOR TIGHTS/40FT (REQUIRES 12-24VDC AUX & ELBOW #LVELB0)	100
LVELB0	EXTERNAL SWIVEL QUICK CONNECT ELBOW (For best sensor performance.)	100

ADDITIONAL INFORMATION:

- Default settings; 38W, 5000K.
- The color temperature and wattage may be adjusted by two slide switches integrated into the driver. For additional information refer to the install instructions.

