



SELECTABLE  
COLOR  
TEMPERATURE

**CLT130 XTREME DUTY • 8YR  
LED 2' TONE-SELECT™  
LINEAR HIGH BAY**

HIGH-BAY LUMINAIRES FOR COMMERCIAL  
AND INDUSTRIAL BUILDINGS

**FEATURES**

- Selectable color temperature
- High lumen output - bright and high lumen per watt.
- Integrated LED - maintenance free.
- Replaces HID and fluorescent fixtures.
- Wide beam angle - uniform light distribution.
- All steel surfaces are painted after fabrication for smooth edges and rounded corners.

**MOUNTING**

Designed for suspended or pendent mounting.

**APPLICATION**

Larger warehouses, retail applications, commercial buildings and work areas.

**ELECTRICAL**

Wattage	130W
Voltage	120-277V
Current	1.08A
Power Factor	0.9
Total Harmonic Distortion (THD)	10

**LIGHTING PERFORMANCE**

Lumens	17550
Lumens Per Watt (LPW)	135
Color Temperature (CCT)	4000K / 5000K
Color Rendering (CRI)	80
R9 (Red Value)	--
R13 (Skin Tones)	--
Beam Angle	120°
Light Distribution	--
BUG Rating (Backlight, Uplight, and Glare)	--
Dimmable Lighting Control	<i>Dimmable</i> 0-10V, Range 10% - 100%

**ENVIRONMENT**

Operating Temperature	-4° ~ 122°F
Suitable Location	<b>DAMP</b>
Ingress Protection Rating	IP40

**LIFESPAN**

Average Life (Hours)	50,000
Warranty (Years)	<b>8</b>

**COMPONENTS**

LED Light Source	Bridgelux
Driver	Simon

**CONSTRUCTION**

Housing	24 Gauge C.R.S.
Lens	Acrylic (PMMA)
Base / Power Supply	Hard Wired
Finish	White

**QUALIFICATIONS**

Model Number	55506
--------------	-------



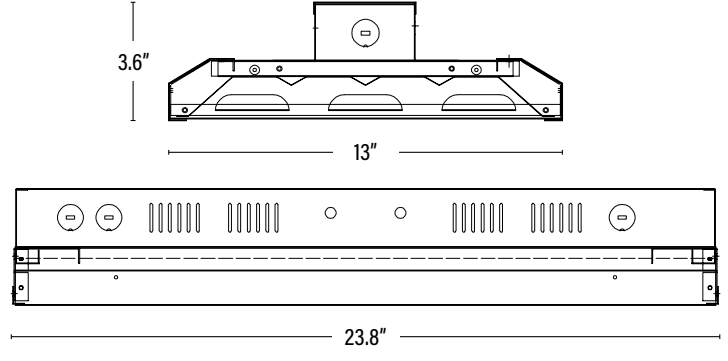
*Manufactured by P.Q.L., Inc. • Published lumens on LED products are approximate and may vary slightly. • Specifications are subject to change without notice.*

# CLT130 XTREME DUTY • 8YR LED 2' TONE-SELECT™ LINEAR HIGH BAY



ITEM INFORMATION

DIMENSIONS (Inches)	
Length	23.8"
Width	13"
Height	3.6"
Net Weight (Lbs)	10.1
Chain Length	41.34" (2 ea.)



PACKAGING	UPC	DIMENSIONS (LxWxH)	GROSS WEIGHT (Lbs)
Master Carton	811768022933	--	--
Country of Origin	China		
HS Tariff	9405.10.6020		

ITEM#	DESCRIPTION	CASE
CLT130	LED 2FT TONE-SELECT™ LINEAR HIGH BAY/130W/40-50K/DIMM/120-277V	1

Manufactured by P.Q.L., Inc. - Manufacturer Model # 55506

ACCESSORIES		
LF3599	360° LOW/HIGH BAY FIXTURE OCCUPANCY PIR SENSOR 30' DIA, 8-40' HEIGHT 800W/1200W • 120/277V	50

**ADDITIONAL INFORMATION:**

**Note:** When using an Emergency Pack with the fixture, cable mounting is recommended to control the balance of the fixture.