



**LFC755** LT. COMMERCIAL • 5YR  
**LED CANOPY**  
PARKING GARAGE LUMINAIRES

**FEATURES**

- Ultra-thin design.
- Replaces 100-175W MH.

**HOUSING**

- One piece sealed die cast housing.
- UV stabilized polycarbonate optical lens.

**MOUNTING**

- Surface Mount with J-Box.
- Pendant with 3/4" conduit.

**APPLICATION**

Parking structures and storage areas.

**ELECTRICAL**

Wattage	75W
Voltage	120-277V
Current	--
Power Factor	0.9
Total Harmonic Distortion (THD)	--

**LIGHTING PERFORMANCE**

Lumens	9000
Lumens Per Watt (Lm/W)	120
Color Temperature (CCT)	5000K
Color Rendering (CRI)	80
R9 (Red Value)	18
R13 (Skin Tones)	85
Beam Angle	100° x 60°
Light Distribution	Type VS
BUG Rating (Backlight, Uplight, and Glare)	B2 - U3 - G2
Dimmable Lighting Control	<i>Dimmable</i> 0-10V, Range 10% - 100%

**ENVIRONMENT**

Operating Temperature	-40° ~ 104°F
Suitable Location	<b>WET</b>
Ingress Protection Rating	IP65

**LIFESPAN**

Average Life (Hours)	50,000
Warranty (Years)	<b>5</b>

**COMPONENTS**

LED Light Source	Seoul 3528
Driver	WP-HHA-075U

**CONSTRUCTION**

Housing	Aluminum
Lens	PC / Frosted
Base / Power Supply	Hard Wired
Finish	Black

**QUALIFICATIONS**

Manufacturer Model #	83092
----------------------	-------



Manufactured by P.Q.L., Inc. • Published lumens on LED products are approximate and may vary slightly. • Specifications are subject to change without notice.

# LFC755 LT. COMMERCIAL • 5YR LED CANOPY

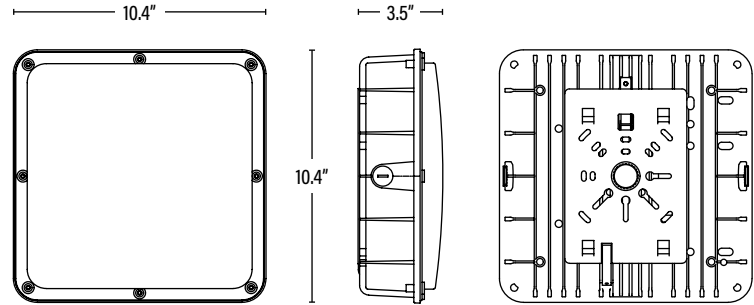


ITEM INFORMATION

### DIMENSIONS (Inches)

Length	10.4"
Width/Diameter	10.4"
Height	3.5"
Weight (Lbs)	2.1

Line drawings may not be to scale and are for general reference only.



### PACKAGING

		UPC	DIMENSIONS (LxWxH)	GROSS WEIGHT (Lbs)
Master Carton	4	10811768025740	19.3" x 19.3" x 12.2"	8.6
Individual Box	1	811768025743	--	--
Country of Origin	China			
HS Tariff	--			

### ORDERING

ITEM#	DESCRIPTION	CASE
LFC755	LED CANOPY 75W/50K/120-277V/BLACK/DIMMABLE/V4	4

Manufactured by P.Q.L., Inc. - Manufacturer Model # 83092

### ADDITIONAL INFORMATION:

**Note:** To prevent water damage which may shorten the life of an exterior mounted fixture; the fixture should be properly weather sealed according to the installation instructions or between the fixture base and mounting surface. Damage due to improper installation may void the warranty.