



SELECTABLE  
COLOR  
TEMPERATURE

**LLT105** COMMERCIAL DUTY • 5YR  
**LED 2' TONE-SELECT™**  
**LINEAR HIGH BAY**

HIGH-BAY LUMINAIRES FOR COMMERCIAL  
AND INDUSTRIAL BUILDINGS

**FEATURES**

- Selectable color temperature
- High lumen output - bright and high lumen per watt.
- Integrated LED - maintenance free.
- Replaces HID and fluorescent fixtures.
- Wide beam angle - uniform light distribution.
- All steel surfaces are painted after fabrication for smooth edges and rounded corners.

**MOUNTING**

Designed for suspended or pendent mounting.

**APPLICATION**

Larger warehouses, retail applications, commercial buildings and work areas.

**ELECTRICAL**

Wattage	105W
Voltage	120-277V
Current	0.87A
Power Factor	0.9
Total Harmonic Distortion (THD)	10

**LIGHTING PERFORMANCE**

Lumens	14175
Lumens Per Watt (LPW)	135
Color Temperature (CCT)	4000K / 5000K
Color Rendering (CRI)	80
R9 (Red Value)	--
R13 (Skin Tones)	--
Beam Angle	120°
Light Distribution	--
BUG Rating (Backlight, Uplight, and Glare)	--
Dimmable Lighting Control	<i>Dimmable</i> 0-10V, Range 10% - 100%

**ENVIRONMENT**

Operating Temperature	-4° ~ 122°F
Suitable Location	<b>DAMP</b>
Ingress Protection Rating	IP40

**LIFESPAN**

Average Life (Hours)	50,000
Warranty (Years)	<b>5</b>

**COMPONENTS**

LED Light Source	Bridgelux
Driver	Simon

**CONSTRUCTION**

Housing	24 Gauge C.R.S.
Lens	Acrylic (PMMA)
Base / Power Supply	Hard Wired
Finish	White

**QUALIFICATIONS**

Model Number	55505
--------------	-------



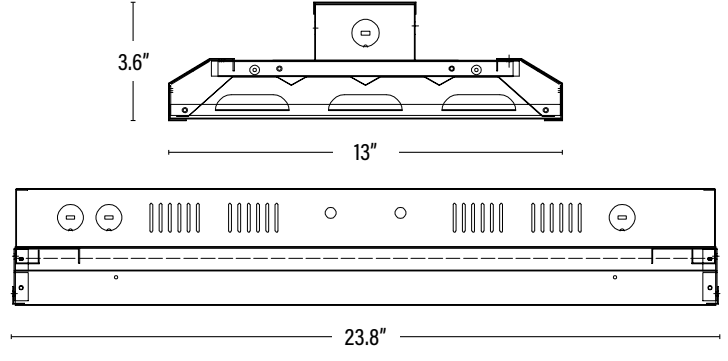
*Manufactured by P.Q.L., Inc. • Published lumens on LED products are approximate and may vary slightly. • Specifications are subject to change without notice.*

# LLT105 COMMERCIAL DUTY • 5YR LED 2' TONE-SELECT™ LINEAR HIGH BAY



ITEM INFORMATION

DIMENSIONS (Inches)	
Length	23.8"
Width	13"
Height	3.6"
Net Weight (Lbs)	10.1
Chain Length	41.34" (2 ea.)



PACKAGING		UPC	DIMENSIONS (LxWxH)	GROSS WEIGHT (Lbs)
Master Carton	1	811768026788	--	--
Country of Origin	China			
HS Tariff	9405.10.6020			

ITEM#	DESCRIPTION	CASE
LLT105	LED 2FT TONE-SELECT™ LINEAR HIGH BAY/105W/40-50K/DIMM/120-277V	1

*Manufactured by P.Q.L., Inc. - Manufacturer Model # 55505*

ACCESSORIES		
LF3599	360° LOW/HIGH BAY FIXTURE OCCUPANCY PIR SENSOR 30' DIA, 8-40' HEIGHT 800W/1200W • 120/277V	50

**ADDITIONAL INFORMATION:**

**Note:** When using an Emergency Pack with the fixture, cable mounting is recommended to control the balance of the fixture.