



**CM3655 XTREME DUTY • 7YR
LED HIGH WATTAGE 360° LAMP**
REPLACEMENT LAMPS FOR OUTDOOR POLE/ARM
MOUNTED DECORATIVE LUMINAIRES (TYPE B)

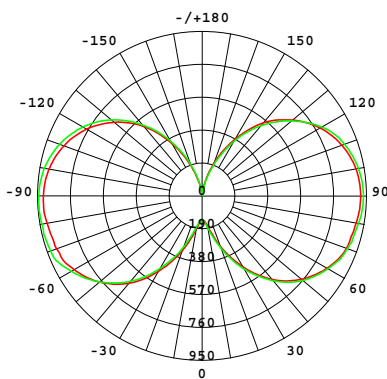
FEATURES

- Environmentally friendly; uses less energy than a traditional lamp.
- 360° optical design that provides even light distribution.
- High Voltage Surge Protection (6KV).
- Hollow heat sink for increased cooling air flow.
- High lumen output.
- Silicone gaskets.

APPLICATION

Replacement lamps for top post, high bays, parking lots and street lighting.

LIGHT DISTRIBUTION CURVE



ELECTRICAL	ITEM	SYSTEM POWER
Wattage	65W	63W
Voltage		120-277V
Current		0.65A
Power Factor		0.9
Total Harmonic Distortion (THD)		14

LIGHTING PERFORMANCE		
Lumens		7004
Lumens Per Watt (Lm/W)	130	112
Color Temperature (CCT)		5000K
Color Rendering (CRI)		82
R9 (Red Value)		N/A
R13 (Skin Tones)		N/A
Beam Angle		360°
Light Distribution		Type VS
BUG Rating (Backlight, Uplight, and Glare)		B2 - U5 - G3
Dimmable Lighting Control		

ENVIRONMENT	
Operating Temperature	-40° ~ 122°F
Suitable Location	DAMP
Ingress Protection Rating	IP63
Suitable Fixture Type	Enclosed

LIFESPAN	
Average Life (Hours)	50,000
Warranty (Years)	7

COMPONENTS	
LED Light Source	JuFei 2835

CONSTRUCTION	
Housing	Aluminum / PC
Lens	Clear
Base / Power Supply	E39 - Mogul

QUALIFICATIONS	
Manufacturer Model #	91585



Manufactured by P.Q.L., Inc. • Published lumens on LED products are approximate and may vary slightly.

PERFORMANCE DATA

PACKAGING

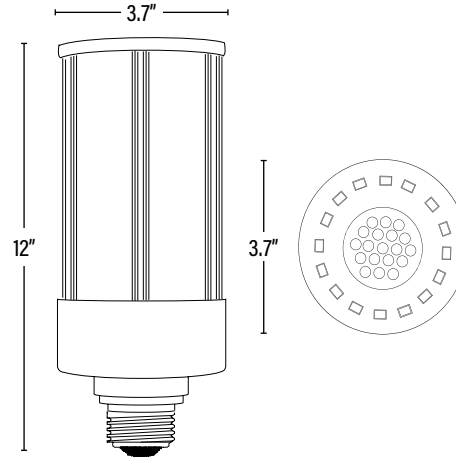
CM3655 XTREME DUTY • 7YR LED HIGH WATTAGE 360° LAMP



DIMENSIONS (Inches)

Length (MOL)	12"
Width/Diameter (MOD)	3.7"
Weight (Lbs)	2.9

Line drawings may not be to scale and are for general reference only.



PACKAGING		UPC	DIMENSIONS (LxWxH)	GROSS WEIGHT (Lbs)
Master Carton	12	10811768028529	18" x 13.5" x 14.8"	39.7
Individual Box	1	811768028522	4.3" x 4.3" x 14"	3.2
Country of Origin	China			
HS Tariff	8539.50.0010			

ORDERING

ITEM#	DESCRIPTION	CASE
CM3655	LED 65WT30/360°/CL/50K/MOG/120-277V/V5	12

Manufactured by P.Q.L., Inc. - Manufacturer Model # 91585

ADDITIONAL INFORMATION:

TOP VIEW



PERFORMANCE DATA

PACKAGING