



LMM115 LT. COMMERCIAL • 5YR
MINI SNAP & GO™ MODULE
LINEAR RETROFIT KITS FOR 3' LUMINAIRES

FEATURES

- Replacements for traditional fluorescent fixtures and recessed troffers in drop-in ceilings.
- Linkable*; up to 12 modules can be connected in a series.
*Maximum linked wattage of 150W combined. Maximum total power per input cord should not exceed 250W.

MOUNTING

- Designed for surface or magnetic* mounting.
*Magnetic brackets sold separately.

APPLICATION

Ideal for retrofitting existing fluorescent fixtures and recessed troffers.

EACH MODULE INCLUDES



Power Cord Connector



2 ea. Mounting Brackets



Linking Butt Connector

ELECTRICAL

Wattage	11W
Voltage	120V
Current	0.15A
Power Factor	0.9
Total Harmonic Distortion (THD)	20

LIGHTING PERFORMANCE

Lumens	1538
Lumens Per Watt (Lm/W)	141
Color Temperature (CCT)	5000K
Color Rendering (CRI)	80
R9 (Red Value)	--
R13 (Skin Tones)	--
Beam Angle	120°
Light Distribution	--
Dimmable Lighting Control	

ENVIRONMENT

Operating Temperature	-4° ~ 104°F
Suitable Location	DAMP
Ingress Protection Rating	IP44

LIFESPAN

Average Life (Hours)	50,000
Warranty (Years)	5

COMPONENTS

LED Light Source	--
------------------	----

CONSTRUCTION

Housing	Aluminum / PC
Lens	Frosted
Base / Power Supply	Hard Wired

QUALIFICATIONS

Manufacturer Model #	87011
----------------------	-------



Manufactured by P.Q.L., Inc. • Published lumens on LED products are approximate and may vary slightly. • Specifications are subject to change without notice.

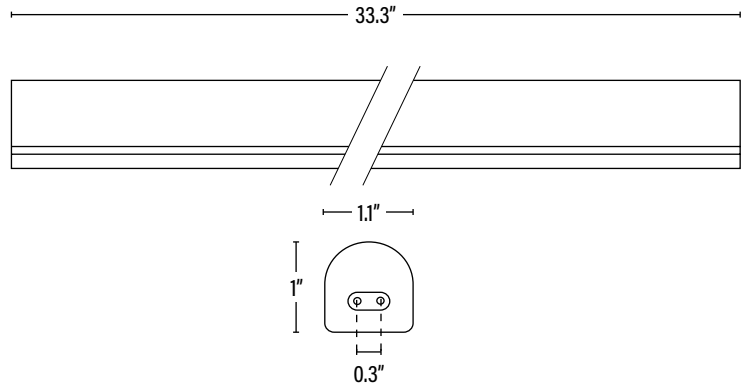
LMM115 LT. COMMERCIAL • 5YR MINI SNAP & GO™ MODULE



ITEM INFORMATION

DIMENSIONS (Inches)

Length	33.3"
Width	1.1"
Height	1"
Weight (Lbs)	--



PACKAGING

		UPC	DIMENSIONS (LxWxH)	GROSS WEIGHT (Lbs)
Master Carton	36	10811768023968	38.6" x 8.3" x 7.9"	12.3
Individual Box	1	811768023961	N/A	0.5
Country of Origin	China			
HS Tariff	--			

ORDERING

ITEM#	DESCRIPTION	CASE
LMM115	LED MINI SNAP & GO™ MODULE 3'/12W/50K/FR	36

Manufactured by P.Q.L., Inc. - Manufacturer Model # 87011