



CF1154 XTREME DUTY • 7YR
LED FLOOD LIGHT
ARCHITECTURAL FLOOD AND SPOT
LUMINAIRES - WIDE DISTRIBUTION ONLY

FEATURES

- Corrosion resistant die cast housing, with a powder paint coat finish.
- Compact design that separates the LED module from the heat sink to ensure efficient cooling.
- Fixture angle can be easily adjusted.


APPLICATION

Ideal for wall washing, landscaping lighting, outdoor advertising and parking lots.

ELECTRICAL

| | |
|---------------------------------|----------|
| Wattage | 50W |
| Voltage | 120-277V |
| Power Factor | 0.9 |
| Total Harmonic Distortion (THD) | 15 |

LIGHTING PERFORMANCE

| | |
|--|---|
| Lumens | 6600 |
| Lumens Per Watt (Lm/W) | 132 |
| Color Temperature (CCT) | 4000K |
| Color Rendering (CRI) | 70 |
| R9 (Red Value) | -15 |
| R13 (Skin Tones) | 71 |
| Beam Angle | 7H6V |
| Light Distribution | Type I, Very Short |
| BUG Rating (Backlight, Uplight, and Glare) | B3 - U1 - G0 |
| Dimmable Lighting Control |  |

ENVIRONMENT

| | |
|---------------------------|--------------|
| Operating Temperature | -40° ~ 104°F |
| Suitable Location | WET |
| Ingress Protection Rating | IP65 |

LIFESPAN

| | |
|----------------------|----------|
| Average Life (Hours) | 50,000 |
| Warranty (Years) | 7 |

COMPONENTS

| | |
|------------------|----------------|
| LED Light Source | LUXEON 3030 2D |
| Driver | WP-HHG-050U |

CONSTRUCTION

| | |
|---------------------|-------------------|
| Housing | Die Cast Aluminum |
| Lens | PC |
| Base / Power Supply | Hard Wired |
| Finish | Bronze |

QUALIFICATIONS

| | |
|--------------|-------|
| Model Number | 84136 |
|--------------|-------|



Manufactured by P.Q.L., Inc. • Published lumens on LED products are approximate and may vary slightly. • Specifications are subject to change without notice.

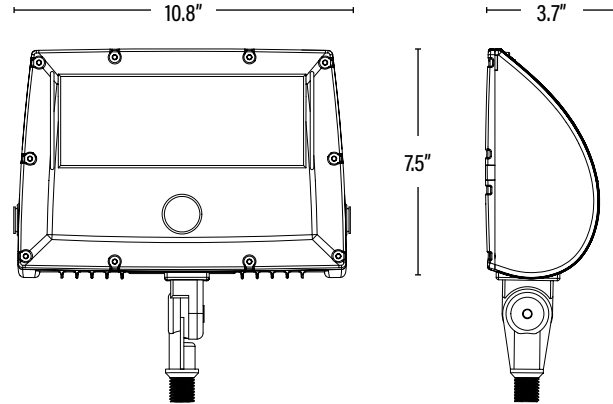
CF1154 XTREME DUTY • 7YR LED FLOOD LIGHT



ITEM INFORMATION

DIMENSIONS (Inches)

| | |
|------------------|-------|
| Length | 10.8" |
| Width | 3.7" |
| Height | 7.5" |
| Net Weight (Lbs) | -- |



PACKAGING

| | | UPC | DIMENSIONS (LxWxH) | GROSS WEIGHT (Lbs) |
|-------------------|--------------|--------------|----------------------|--------------------|
| Master Carton | 1 | 811768023954 | 12.6" x 12.6" x 5.5" | 7.9 |
| Country of Origin | China | | | |
| HS Tariff | 9405.10.6020 | | | |

ORDERING

| ITEM# | DESCRIPTION | CASE |
|--------|--|------|
| CF1154 | LED FLOOD LIGHT/50W/40K/120-277V/BRZ • 1/2IN KNUCKLE | 1 |

Manufactured by P.Q.L., Inc. - Manufacturer Model # 84136