



**CFCD80 XTREME DUTY • 7YR
LED SPEC-SELECT™ DESIGNER FULL
CUTOFF WALL PACK**

**OUTDOOR NON-CUTOFF AND SEMI-CUTOFF
WALL-MOUNTED AREA LUMINARIES**

FEATURES

Spec-Select™ Designer Cutoff Wall Packs feature adjustable wattage and color temperature for the perfect balance of light in any application.

- Replaces 200-400W traditional HID wall packs
- Durable weather resistant, die casting housing
- UV resistant polycarbonate optical lens
- Light weight
- Easy installation

APPLICATION

Ideal for security, walkways and perimeter lighting.

ELECTRICAL

Wattage	40W / 50W / 60W / 80W
Voltage	120-277V
Current	0.80A
Power Factor	0.9
Total Harmonic Distortion (THD)	20

LIGHTING PERFORMANCE

Lumens	5212-10399	
Lumens Per Watt (Lm/W)	130	
Color Temperature (CCT)	3000K / 4000K / 5000K	
Color Rendering (CRI)	74	
R9 (Red Value)	-15	
Beam Angle	93°	
Light Distribution	Type II, Very Short	
BUG Rating (Backlight, Uplight, and Glare)	40W / 50W / 60W	B2 - U2 - G1
	80W	B3 - U2 - G2

Dimmable Lighting Control *Dimmable*
0-10V, Range 10% - 100%

ENVIRONMENT

Operating Temperature	-22° ~ 113°F
Suitable Location	WET
Ingress Protection Rating	IP65

LIFESPAN

Average Life (Hours)	50,000
Warranty (Years)	7

COMPONENTS

LED Light Source	2835
Driver	R1-80L-48B

CONSTRUCTION

Housing	Die-Cast Aluminum
Lens	PC
Base / Power Supply	Hard Wired
Finish	Bronze

QUALIFICATIONS

Manufacturer Model #	SSTWP-80[L;H]-[CS]-CC
----------------------	-----------------------



Manufactured by P.Q.L., Inc. • Published lumens on LED products are approximate and may vary slightly. • Specifications are subject to change without notice.

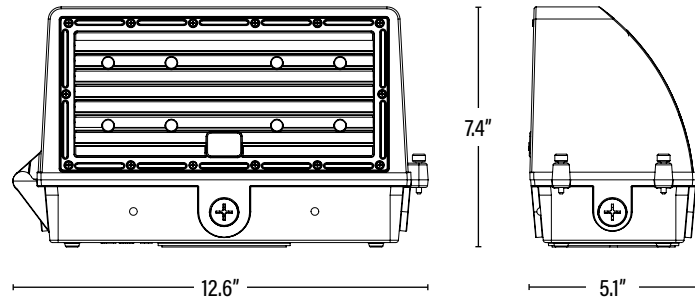
CFCD80 XTREME DUTY • 7YR
LED SPEC-SELECT™ DESIGNER FULL CUTOFF WALL PACK



ITEM INFORMATION

DIMENSIONS (Inches)

Length	12.6"
Width	7.4"
Height	5.1"
Net Weight (Lbs)	2.5



PACKAGING

PACKAGING	UPC	DIMENSIONS (LxWxH)	GROSS WEIGHT (Lbs)	
Master Carton	1	811768028119	13.8" x 9" x 7.3"	3
Country of Origin	China			
HS Tariff	9405.10.6020			

ORDERING

ITEM#	DESCRIPTION	CASE
CFCD80	LED SPEC-SELECT™ DESIGNER FULL CUTOFF WALL PACK/40-50-60-80W/30-50K/DIMM/120-277V/BRZ	1

Manufactured by P.Q.L., Inc. - Manufacturer Model # SSTWP-80[L;H]-[CS]-CC

ADDITIONAL INFORMATION:

Note: To prevent water damage which may shorten the life of an exterior mounted fixture; the fixture should be properly weather sealed according to the installation instructions or between the fixture base and mounting surface. Damage due to improper installation may void the warranty.