



**CH1015 XTREME DUTY • 8YR**  
**LED COMPASS HIGH BAY**  
HIGH-BAY LUMINAIRES FOR COMMERCIAL AND INDUSTRIAL BUILDINGS

**FEATURES**

- Die cast aluminum for better heat dissipation.
- Dust proof and anti-corrosive.
- Elegant design.
- High efficiency Sosen driver with built-in 4KV surge protection.

**APPLICATION**

Ideal for commercial and industrial applications; malls, warehouses, factories, retail stores, athletic facilities, workshops, airports, and large areas.

**ELECTRICAL**

Wattage	100W
Voltage	120-277V
Power Factor	0.9
Total Harmonic Distortion (THD)	9.6

**LIGHTING PERFORMANCE**

Lumens	13888
Lumens Per Watt (Lm/W)	139
Color Temperature (CCT)	5000K
Color Rendering (CRI)	84
R9 (Red Value)	--
R13 (Skin Tones)	--
Beam Angle	120°
Light Distribution	Type VS
BUG Rating (Backlight, Uplight, and Glare)	B3 - U2 - G1
Dimmable Lighting Control	<i>Dimmable</i> 0-10V, Range 10% - 100%

**ENVIRONMENT**

Operating Temperature	-22°~122°F
Suitable Location	<b>WET</b>
Ingress Protection Rating	IP65

**LIFESPAN**

Average Life (Hours)	50,000
Warranty (Years)	<b>8</b>

**COMPONENTS**

LED Light Source	Seoul 2835
Driver	SS-100CP-54B

**CONSTRUCTION**

Housing	Aluminum
Lens	Tempered Glass
Base / Power Supply	Hard Wired
Finish	Black

**QUALIFICATIONS**

Manufacturer Model #	90336
----------------------	-------



*Manufactured by P.Q.L., Inc. • Published lumens on LED products are approximate and may vary slightly. • Specifications are subject to change without notice.*

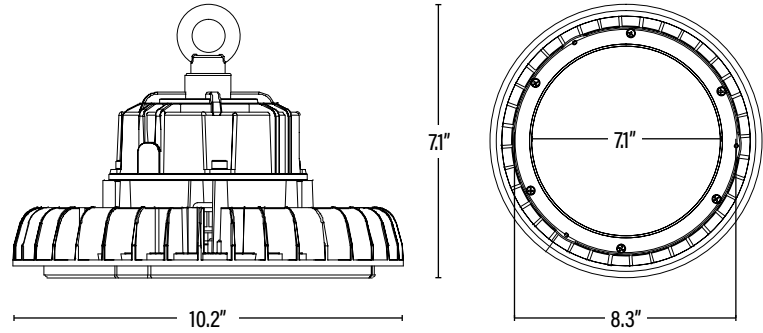
# CH1015 XTREME DUTY • 8YR LED COMPASS HIGH BAY



ITEM INFORMATION

**DIMENSIONS** (Inches)

Width/Diameter (MOD)	10.2"
Height	7.1"
Net Weight (Lbs)	--



**PACKAGING**

		UPC	DIMENSIONS (LxWxH)	GROSS WEIGHT (Lbs)
Master Carton	1	811768028096	12.5" x 12.5" x 7"	13.7
Country of Origin	China			
HS Tariff	9405.10.6020			

**ORDERING**

ITEM#	DESCRIPTION	CASE
CH1015	LED COMPASS HIGH BAY 100W/50K/120-277V/DIMMABLE/V2	1

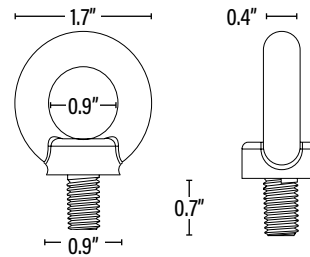
*Manufactured by P.Q.L., Inc. - Manufacturer Model # 90336*

**ACCESSORIES**

LHMBL	ADJUSTABLE ANGLE MOUNTING BRACKET FOR COMPASS HIGH BAY	20
LHSEN	MICROWAVE MOTION SENSOR FOR COMPASS HIGH BAY/100-277V 1-10V DIMM/KIT	10
LHAL16	16" ALUMINUM REFLECTOR FOR COMPASS HIGH BAY	1
LHPA16	16" ACRYLIC REFLECTOR FOR COMPASS HIGH BAY	1
LHBL16	16" ACRYLIC BOTTOM LENS FOR ACRYLIC REFLECTOR FOR COMPASS HIGH BAY	1

**ADDITIONAL INFORMATION:**

- Safety rope length approximately 5' 9"
- Power and dimming cord length approximately 11.8" - 15.7"
- Multiple screw holes are conveniently placed throughout the top of the fixture to connect occupancy sensors and reflectors.
- Emergency Battery Back Ups are available for 120-277V applications by special order. Contact your sales representative to discuss your specific needs.



**M10  
Eyelet Dimensions**