

MEBULBS



CLX211 XTREME DUTY • 7YR LED 1.4' SPEC-SELECT™ TWO PANEL LINEAR HIGH BAY HIGH-BAY LUMINAIRE FOR COMMERCIAL AND INDUSTRIAL BUILDINGS

FEATURES

Spec-Select™ Linear High Bays provide the versatility of six fixtures in one, delivering energy-efficient, customizable lighting for any space.

- Selectable Wattage & CCT: Field adjustable output.
- High Lumen Output: Bright and energy-efficient.
- Integrated LED: Maintenance-free.
- HID/Fluorescent Replacement: Easy upgrade.
- Wide Beam Angle: Uniform light distribution.
- Durable Construction: Painted steel with smooth edges and rounded corners.
- Sensor Ready: Supports the Integrated Sensor Option (ISO) and is compatible with plug-in motion and daylight sensors (sold separately).
- Designed for suspended mounting, with V-hooks and 41.3" chains included.

APPLICATION

Larger warehouses, retail applications, commercial buildings and work areas.

¹ Our fixtures come preset to 5000K.

PRODUCT INFORMATION

ELECTRICAL	
Wattage (Selectable)	78-92-115W
Voltage	120-277V
Surge Protection	Built-In
Power Factor	0.9
THD	≤20
OPTICAL	
Efficiency (LPW)	Up to 150
Lumens	11,700 / 13,800 / 17,250
CCT (Selectable)	4000K / 5000K
CRI	83
Beam Angle	120°
Dimming	0-10V
ENVIRONMENT	
Operating Temperature	-40° ~ 122°F
Suitable Location	Damp
CONSTRUCTION	
LED Chip	Seoul
Driver	SIG120I0530V20
Housing	Sheet Metal
Lens	PC
Base / Power Supply	Hard Wired
Finish	White
LIFESPAN <small>(Complete terms can be found on our website.)</small>	
Life Hours	50,000
Warranty (Years)	7
LISTINGS	
Model Number	HLT1CP1152CUW
Primary Use Designation	High-Bay Luminaires for Commercial and Industrial Buildings



Manufactured by P.Q.L., Inc. • Model Number: HLT1CP1152CUW

CLX211 XTREME DUTY • 7YR LED 1.4' SPEC-SELECT™ TWO PANEL LINEAR HIGH BAY

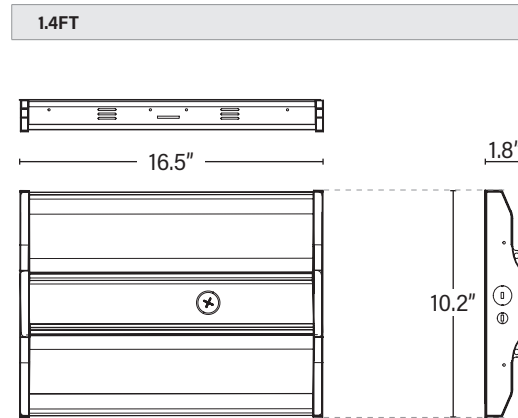


PACKAGING

MASTER CASE	HLT1CP1152CUW
Quantity	4
Size (LxWxH)	17.7" x 8.7" x 11"
Gross Weight (Lbs)	25.7
INDIVIDUAL BOX	
Size (LxWxH)	17.2" x 10.6" x 2"
Gross Weight (Lbs)	6.4

Tariff: 9405.11.6020

DIMENSIONS



PERFORMANCE DATA

WATTAGE	LUMENS	LPW	CRI	CURRENT		POWER FACTOR	THD	DRIVER	DLC MODEL NUMBER	LISTINGS
				120V	277V					
78W	11,700	150	83	0.65A	0.28A	0.9	≤20	SIG120I0530V20	HLT1CP1152CUW	cUL
92W	13,800			0.76A	0.33A					
115W	17,250			0.95A	0.41A					

ACCESSORIES *(Field Installation)*

CODE	DESCRIPTION
LHB708	PHOTO/MICROWAVE BI-LEVEL DIMMING SENSOR FOR ISO POWER-SELECT™ HB
LHC709	REMOTE CONTROL FOR PHOTO/MICROWAVE MOTION SENSOR