

MEBULBS



HLX113 COMMERCIAL DUTY • 5YR LED 2' SPEC-SELECT™ SINGLE PANEL LINEAR HIGH BAY HIGH-BAY LUMINAIRES FOR COMMERCIAL AND INDUSTRIAL BUILDINGS

FEATURES

Spec-Select™ Linear High Bays provide the versatility of six fixtures in one, delivering energy-efficient, customizable lighting for any space.

- Selectable Wattage & CCT: Field adjustable output.
- High Lumen Output: Bright and energy-efficient.
- Integrated LED: Maintenance-free.
- HID/Fluorescent Replacement: Easy upgrade.
- Wide Beam Angle: Uniform light distribution.
- Durable Construction: Painted steel with smooth edges and rounded corners.
- Sensor Ready: Multiple knockouts and 12VDC auxiliary power for easy sensor integration.
- Designed for suspended mounting, with V-hooks and 41.3" chains included.

APPLICATION

Larger warehouses, retail applications, commercial buildings and work areas.

¹ Our fixtures come preset to 5000K.

PRODUCT INFORMATION

ELECTRICAL	
Wattage (Selectable)	100-115-135W
Voltage	120-277V
Surge Protection	Built-In
Power Factor	0.9
THD	20
OPTICAL	
Efficiency (LPW)	Up to 150
Lumens	15,000 / 17,250 / 20,250
CCT (Selectable)	4000K / 5000K
CRI	80
Beam Angle	120°
Dimming	0-10V
ENVIRONMENT	
Operating Temperature	-40° ~ 122°F
Suitable Location	Damp
CONSTRUCTION	
Housing	Sheet Metal
Lens	PC
Base / Power Supply	Hard Wired
Finish	White
LIFESPAN <small>(Complete terms can be found on our website.)</small>	
Life Hours	50,000
Warranty (Years)	5
LISTINGS	
Model Number	HLM12P1352CUW
Primary Use Designation	High-Bay Luminaires for Commercial and Industrial Buildings



Manufactured by P.Q.L., Inc. • Model Number: HLM12P1352CUW

HLX113 COMMERCIAL DUTY • 5YR LED 2' SPEC-SELECT™ SINGLE PANEL LINEAR HIGH BAY

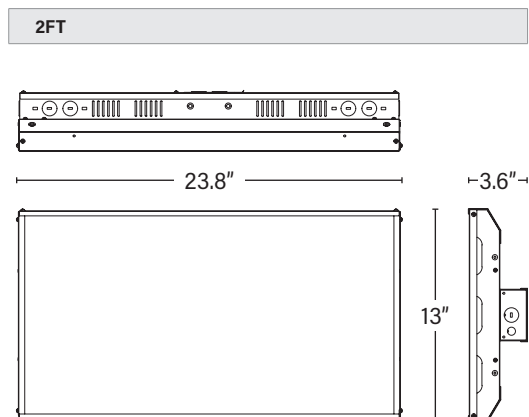


PACKAGING

MASTER CASE	HLT1CP1152CUW
Quantity	1
Size (LxWxH)	24.6" x 13.6" x 4"
Gross Weight (Lbs)	11.1

Tariff: 9405.11.6020 • COO: Vietnam

DIMENSIONS



PERFORMANCE DATA

WATTAGE	LUMENS	LPW	CRI	CURRENT		POWER FACTOR	THD	DRIVER	DLC MODEL NUMBER	LISTINGS
				120V	277V					
100W	15,000	150	80	0.83A	0.36A	0.9	20	--	HLM12P1352CUW	cUL
115W	17,250			0.95A	0.41A					
135W	20,250			1.12A	0.48A					

ACCESSORIES *(Field Installation)*

CODE	DESCRIPTION
LF3399	LOW/HIGH BAY FIXTURE OCCUPANCY PIR SENSOR 30FT DIA, 8-40FT HEIGHT 800W/1200W • 120/277V
LF3598	HIGH BAY BI-LEVEL & DAYLIGHT HARVEST MICROWAVE SENSOR 60FT DIA, 8-50FT HEIGHT 800W/1200W • 120/277V