

MEBULBS



HLX213 COMMERCIAL DUTY • 5YR LED 1.4' SPEC-SELECT™ TWO PANEL LINEAR HIGH BAY HIGH-BAY LUMINAIRE FOR COMMERCIAL AND INDUSTRIAL BUILDINGS

FEATURES

Spec-Select™ Linear High Bays provide the versatility of six fixtures in one, delivering energy-efficient, customizable lighting for any space.

- Selectable Wattage & CCT: Field adjustable output.
- High Lumen Output: Bright and energy-efficient.
- Integrated LED: Maintenance-free.
- HID/Fluorescent Replacement: Easy upgrade.
- Wide Beam Angle: Uniform light distribution.
- Durable Construction: Painted steel with smooth edges and rounded corners.
- Sensor Ready: Supports the Integrated Sensor Option (ISO) and is compatible with plug-in motion and daylight sensors (sold separately).
- Designed for suspended mounting, with V-hooks and 41.3" chains included.

APPLICATION

Larger warehouses, retail applications, commercial buildings and work areas.

¹ Our fixtures come preset to 5000K.

PRODUCT INFORMATION

ELECTRICAL	
Wattage (Selectable)	100-115-135W
Voltage	120-277V
Surge Protection	Built-In
Power Factor	0.9
THD	7.7
OPTICAL	
Efficiency (LPW)	Up to 150
Lumens	15,000 / 17,250 / 20,250
CCT (Selectable)	4000K / 5000K
CRI	83
Beam Angle	120°
Dimming	0-10V
ENVIRONMENT	
Operating Temperature	-40° ~ 122°F
Suitable Location	Damp
CONSTRUCTION	
LED Chip	Seoul
Driver	SIG120I0530V20
Housing	Sheet Metal
Lens	PC
Base / Power Supply	Hard Wired
Finish	White
LIFESPAN <small>(Complete terms can be found on our website.)</small>	
Life Hours	50,000
Warranty (Years)	5
LISTINGS	
Model Number	HLT1CP1352CUW
Primary Use Designation	High-Bay Luminaires for Commercial and Industrial Buildings



Manufactured by P.Q.L., Inc. • Model Number: HLT1CP1352CUW

HLX213 COMMERCIAL DUTY • 5YR LED 1.4' SPEC-SELECT™ TWO PANEL LINEAR HIGH BAY

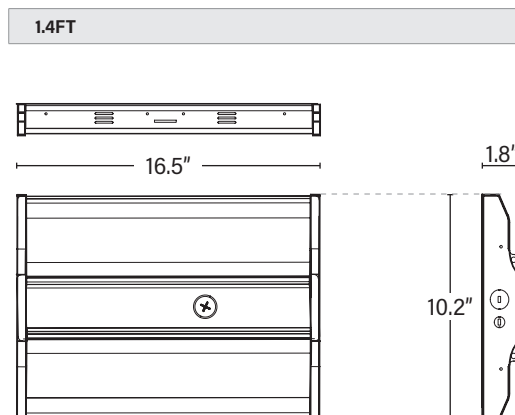


PACKAGING

MASTER CASE	HLT1CP1352CUW
Quantity	4
Size (LxWxH)	17.7" x 8.7" x 11"
Gross Weight (Lbs)	25.7
INDIVIDUAL BOX	
Size (LxWxH)	17.2" x 10.6" x 2"
Gross Weight (Lbs)	6.4

Tariff: 9405.11.6020

DIMENSIONS



PERFORMANCE DATA

WATTAGE	LUMENS	LPW	CRI	CURRENT		POWER FACTOR	THD	DRIVER	DLC MODEL NUMBER	LISTINGS
				120V	277V					
100W	15,000	150	83	0.83A	0.36A	0.9	7.7	SIG120I0530V20	HLT1CP1352CUW	cUL, DLC®
115W	17,250			0.95A	0.41A					
135W	20,250			1.12A	0.48A					

ACCESSORIES *(Field Installation)*

CODE	DESCRIPTION
LHB708	PHOTO/MICROWAVE BI-LEVEL DIMMING SENSOR FOR ISO POWER-SELECT™ HB
LHC709	REMOTE CONTROL FOR PHOTO/MICROWAVE MOTION SENSOR