



**LDX224** COMMERCIAL DUTY • 5YR  
**LED 2' SPEC-SELECT™**  
**DESIGNER STRIP**  
DIRECT LINEAR AMBIENT LUMINARIES

**FEATURES**

Spec-Select™ Designer Strips feature adjustable wattage and color temperature for the perfect balance of light in any application.

- Energy efficient
- No flickering

**APPLICATION**

Ideal for larger warehouses, retail applications, commercial buildings and work areas.

PERFORMANCE DATA

**ELECTRICAL**

Wattage	15W / 20W / 25W
Voltage	120-277V
Current	0.20-0.09A
Power Factor	0.9
Total Harmonic Distortion (THD)	10

**LIGHTING PERFORMANCE**

Lumens	1950-3250
Lumens Per Watt (Lm/W)	130
Color Temperature (CCT)	3500K / 4100K / 5000K
Color Rendering (CRI)	82
R9 (Red Value)	6
R13 (Skin Tones)	83
Beam Angle	130°
Light Distribution	--
BUG Rating (Backlight, Uplight, and Glare)	--
Dimmable Lighting Control	<i>Dimmable</i> 0-10V, Range 10% - 100%

**ENVIRONMENT**

Operating Temperature	-4 ~ 113°F
Suitable Location	<b>DAMP</b>
Ingress Protection Rating	IP40

**LIFESPAN**

Average Life (Hours)	50,000
Warranty (Years)	<b>5</b>

**COMPONENTS**

LED Light Source	Seoul 3528
Driver	SIL60-I550

**CONSTRUCTION**

Housing	Aluminum
Lens	Frosted
Base / Power Supply	Hard Wired
Finish	White

**QUALIFICATIONS**

Model Number	55452
--------------	-------



*Manufactured by P.Q.L., Inc. • Published lumens on LED products are approximate and may vary slightly. • Specifications are subject to change without notice.*

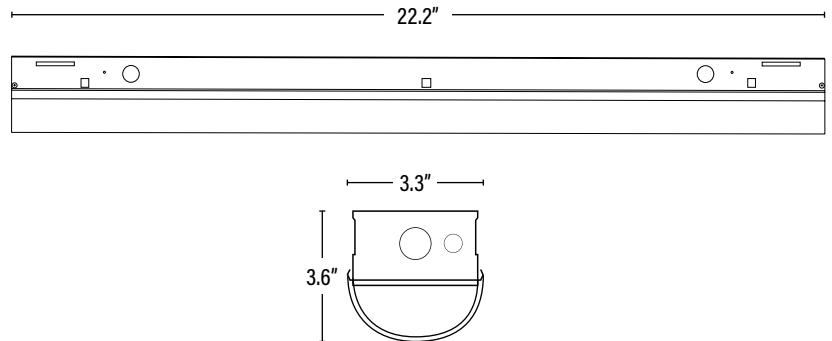
# LDX224 COMMERCIAL DUTY • 5YR LED 2' SPEC-SELECT™ DESIGNER STRIP



ITEM INFORMATION

### DIMENSIONS (Inches)

Length	22.2"
Width	3.3"
Height	3.6"
Net Weight (Lbs)	2.7



### PACKAGING

		UPC	DIMENSIONS (LxWxH)	GROSS WEIGHT (Lbs)
Master Carton	6	10811768026396	24.1" x 9.7" x 8.5"	24.7
Individual Box	1	811768026399	23.5" x 3" x 2.7"	2.9
Country of Origin	China			
HS Tariff	9405.10.6020			

### ORDERING

ITEM#	DESCRIPTION	CASE
LDX224	LED 2FT SPEC-SELECT™ DESIGNER STRIP/15-20-25W/35-50K/DIMM/120-277V	6

*Manufactured by P.Q.L., Inc. - Manufacturer Model # 55452*

### ACCESSORIES

LF3599	360° LOW/HIGH BAY FIXTURE OCCUPANCY PIR SENSOR 30" DIA, 8-40'HEIGHT 800W/1200W • 120/277V	50
LF3502	EMERGENCY PACK FOR LED FIXTURE 16W/90 MIN/SPLIT TYPE/L (For use with drivers that are 100W or less.)	1

### ADDITIONAL INFORMATION:

- Default settings; 25W, 5000K.
- The color temperature and wattage may be adjusted by two slide switches integrated into the driver. The color temperature and wattage should be selected prior to installation.

