



LH1015 LT. COMMERCIAL • 5YR
LED COMPASS HIGH BAY
HIGH-BAY LUMINAIRES FOR COMMERCIAL AND
INDUSTRIAL BUILDINGS

FEATURES

- Die cast aluminum for better heat dissipation.
- Dust proof and anti-corrosive.
- Elegant design.
- High efficiency Sosen driver with built-in 4KV surge protection.

APPLICATION

Ideal for commercial and industrial applications; malls, warehouses, factories, retail stores, athletic facilities, workshops, airports, and large areas.

ELECTRICAL

Wattage	100W
Voltage	120-277V
Power Factor	0.9
Total Harmonic Distortion (THD)	9.6

LIGHTING PERFORMANCE

Lumens	13888
Lumens Per Watt (Lm/W)	139
Color Temperature (CCT)	5000K
Color Rendering (CRI)	84
R9 (Red Value)	--
R13 (Skin Tones)	--
Beam Angle	120°
Light Distribution	Type VS
BUG Rating (Backlight, Uplight, and Glare)	B3 - U2 - G1
Dimmable Lighting Control	<i>Dimmable</i> 0-10V, Range 10% - 100%

ENVIRONMENT

Operating Temperature	-22°~122°F
Suitable Location	WET
Ingress Protection Rating	IP65

LIFESPAN

Average Life (Hours)	50,000
Warranty (Years)	5

COMPONENTS

LED Light Source	Seoul 2835
Driver	SS-100CP-54B

CONSTRUCTION

Housing	Aluminum
Lens	Tempered Glass
Base / Power Supply	Hard Wired
Finish	Black

QUALIFICATIONS

Manufacturer Model #	90336
----------------------	-------



Manufactured by P.Q.L., Inc. • Published lumens on LED products are approximate and may vary slightly. • Specifications are subject to change without notice.

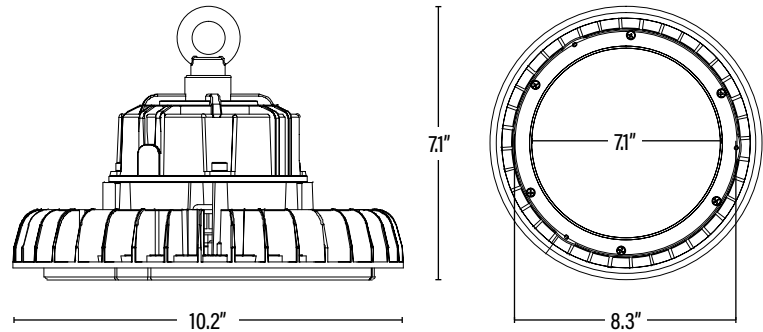
LH1015 LT. COMMERCIAL • 5YR LED COMPASS HIGH BAY



ITEM INFORMATION

DIMENSIONS (Inches)

Width/Diameter (MOD)	10.2"
Height	7.1"
Net Weight (Lbs)	--



PACKAGING

		UPC	DIMENSIONS (LxWxH)	GROSS WEIGHT (Lbs)
Master Carton	1	811768028096	12.5" x 12.5" x 7"	13.7
Country of Origin	China			
HS Tariff	9405.10.6020			

ORDERING

ITEM#	DESCRIPTION	CASE
LH1015	LED COMPASS HIGH BAY 100W/50K/120-277V/DIMMABLE/V2	1

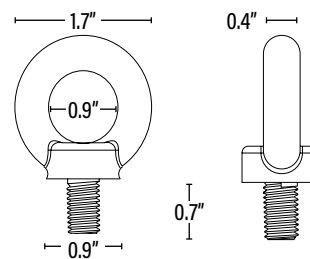
Manufactured by P.Q.L., Inc. - Manufacturer Model # 90336

ACCESSORIES

LHMBL	ADJUSTABLE ANGLE MOUNTING BRACKET FOR COMPASS HIGH BAY	20
LHSEN	MICROWAVE MOTION SENSOR FOR COMPASS HIGH BAY/100-277V 1-10V DIMM/KIT	10
LHAL16	16" ALUMINUM REFLECTOR FOR COMPASS HIGH BAY	1
LHPA16	16" ACRYLIC REFLECTOR FOR COMPASS HIGH BAY	1
LHBL16	16" ACRYLIC BOTTOM LENS FOR ACRYLIC REFLECTOR FOR COMPASS HIGH BAY	1

ADDITIONAL INFORMATION:

- Safety rope length approximately 5' 9"
- Power and dimming cord length approximately 11.8" - 15.7"
- Multiple screw holes are conveniently placed throughout the top of the fixture to connect occupancy sensors and reflectors.
- Emergency Battery Back Ups are available for 120-277V applications by special order. Contact your sales representative to discuss your specific needs.



**M10
Eyelet Dimensions**