



Built-in
Photocell



COMMERCIAL DUTY

LMWX25

FEATURES

- Selectable wattage: Three adjustable output settings for on-site flexibility.
- Selectable CCT: Choose from three color temperatures.
- Integrated Photocell with On/Off switch
- Sealed housing for outdoor applications

APPLICATION

These fixtures offer a great alternative to traditional HID, making them ideal for commercial and industrial settings such as pathways, perimeter lighting, building entrances, and walkways, while also enhancing security.

PRODUCT INFORMATION

ELECTRICAL	
Wattages (Selectable)	15W / 20W / 25W
Voltage	120-277V
Current	25W @ 120V = 0.21A
Power Factor	0.9
THD	15

OPTICAL	
Lumens	1920 / 2560 / 3200
Efficiency (LPW)	128
CCT (Selectable)	3000K / 4000K / 5000K
CRI	82
Light Distribution	Type IV, Very Short
B.U.G. Rating	B1 - U3 - G2
Dimming	0-10V, 10% to 100%

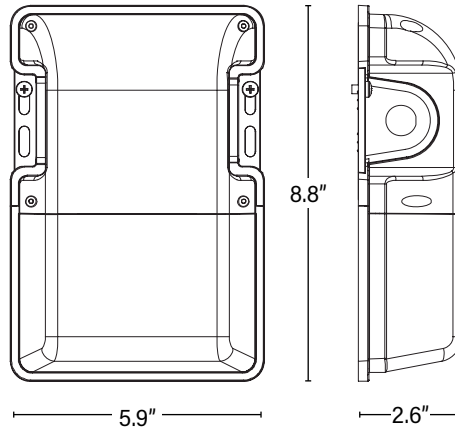
ENVIRONMENT	
Operating Temperature	-40°F ~ 122°F
Suitable Location	Wet
IP Rating	IP66

CONSTRUCTION	
LED Chip	Everlight
Housing	Aluminum
Lens	PC / Clear
Base / Power Supply	Hard Wired
Finish	Bronze

LIFESPAN <i>(Complete terms can be found on our website.)</i>	
Life Hours (Avg.)	50,000
Warranty (Years)	5

LISTINGS	
Model Number	MWP-SS25S-W-8-PH
Primary Use Designation	Outdoor Non-Cutoff and Semi-Cutoff Wall-Mounted Area Luminaires



DIMENSIONS**ORDERING**

CODE	DESCRIPTION	CASE
LMWX25	LED SPEC-SELECT™ MINI WALL PACK/15-20-25W/30-40-50K/DIMM/120-277V/BRZ/PC	10

PACKAGING

MASTER CASE	
Quantity	10
Size (LxWxH)	15.4" x 13.2" x 9.7"
Gross Weight (Lbs)	15.7
UPC	10811768027515
INDIVIDUAL BOX	
Dimensions (LxWxH)	9.1" x 6.3" x 3"
Gross Weight (Lbs)	1.6
UPC Item	811768027518

Tariff: 9405.11.6020

NOTES

- Default settings; 15W, 5000K.
- The color temperature, wattage, and photocell can be adjusted using dip switches located on the side of the fixture. See installs for full details.