



CF0174 XTREME DUTY • 7YR
LED FLOOD LIGHT
ARCHITECTURAL FLOOD AND SPOT
LUMINAIRES

FEATURES

- Corrosion resistant die cast housing, with a powder paint coat finish.
- Compact design that separates the LED module from the heat sink to ensure efficient cooling.
- Fixture angle can be easily adjusted.

APPLICATION

Ideal for wall washing, landscaping lighting, outdoor advertising and parking lots.

ELECTRICAL

Wattage	70W
Voltage	120-277V
Current	--
Power Factor	0.9
Total Harmonic Distortion (THD)	--

LIGHTING PERFORMANCE

Lumens	9102
Lumens Per Watt (Lm/W)	126
Color Temperature (CCT)	4000K
Color Rendering (CRI)	70
R9 (Red Value)	--
R13 (Skin Tones)	--
Beam Angle	7H6V
Light Distribution	Type I, Very Short
BUG Rating (Backlight, Uplight, and Glare)	B3 - U1 - G0

Dimmable Lighting Control



ENVIRONMENT

Operating Temperature	-40° ~ 104°F
Suitable Location	WET
Ingress Protection Rating	IP65

LIFESPAN

Average Life (Hours)	50,000
Warranty (Years)	7

COMPONENTS

LED Light Source	LUXEON 3030 2D
Driver	WP-HHG-075U

CONSTRUCTION

Housing	Die Cast Aluminum
Lens	PC
Base / Power Supply	Hard Wired
Finish	Bronze

QUALIFICATIONS

Manufacturer Model #	84138
----------------------	-------



Manufactured by P.Q.L., Inc. • Published lumens on LED products are approximate and may vary slightly. • Specifications are subject to change without notice.

PERFORMANCE DATA

PACKAGING

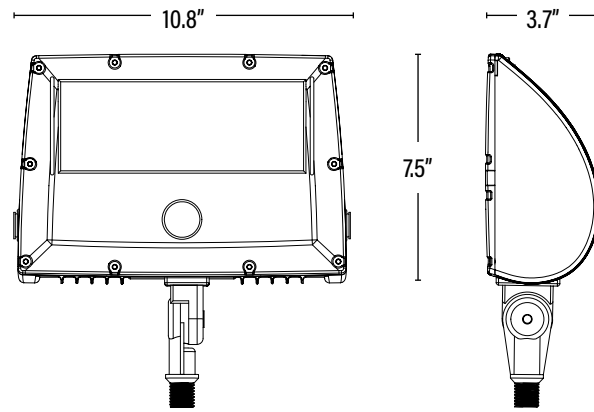
CF0174 XTREME DUTY • 7YR LED FLOOD LIGHT



DIMENSIONS (Inches)

Length	10.8"
Width	3.7"
Height	7.5"
Weight (Lbs)	--

Line drawings may not be to scale and are for general reference only.



PACKAGING

PACKAGING	UPC	DIMENSIONS (LxWxH)	GROSS WEIGHT (Lbs)	
Master Carton	1	811768020915	12.6" x 12.6" x 5.5"	7.9
Country of Origin	China			
HS Tariff	9405.10.6020			

ORDERING

ITEM#	DESCRIPTION	CASE
CF0174	LED 70W FLOOD LIGHT - 1/2" KNUCKLE/40K/120-277V/BRONZE/V2	1

Manufactured by P.Q.L., Inc. - Manufacturer Model # 84138

PERFORMANCE DATA

PACKAGING