



CV8755 XTREME DUTY • 7YR
LED 96" VAPOR TIGHT
DIRECT LINEAR AMBIENT LUMINARIES

FEATURES

- Low-profile which meets limitless range of applications.
- Use 30% less energy than a linear fluorescent fixtures.
- 100% UV stabilized polycarbonate housing and diffusers eliminates glare and produces even light distribution.
- Liquid silicone perimeter gasket
- Stainless steel clips.

MOUNTING

Designed for surface and suspended mounting.

APPLICATION

Ideal for parking garages, cold storage, food processing facilities, dusty and wet environments.

ELECTRICAL

Wattage	75W
Voltage	120-277V
Current	0.63-0.27A
Power Factor	0.9
Total Harmonic Distortion (THD)	10

LIGHTING PERFORMANCE

Lumens	9825
Lumens Per Watt (Lm/W)	131
Color Temperature (CCT)	5000K
Color Rendering (CRI)	82
R9 (Red Value)	--
R13 (Skin Tones)	--
Beam Angle	120°
Light Distribution	Type VS
Dimmable Lighting Control	<i>Dimmable</i> 0-10V, Range 10% - 100%

ENVIRONMENT

Operating Temperature	-40° ~ 122°F
Suitable Location	WET
Ingress Protection Rating	IP65

LIFESPAN

Average Life (Hours)	50,000
Warranty (Years)	7

COMPONENTS

LED Light Source	Seoul 3528
Driver	SIP80-I1700

CONSTRUCTION

Housing	Polycarbonate
Base / Power Supply	Hard Wired
Finish	White

QUALIFICATIONS

Manufacturer Model #	55381
----------------------	-------



Manufactured by P.Q.L., Inc. • Published lumens on LED products are approximate and may vary slightly. • Specifications are subject to change without notice.

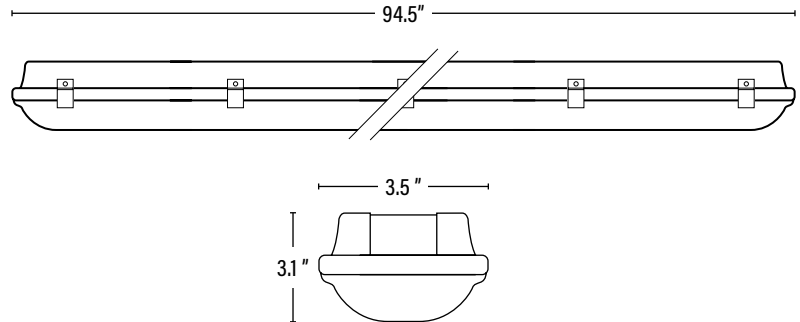
CV8755 XTREME DUTY • 7YR LED 96" VAPOR TIGHT



ITEM INFORMATION

DIMENSIONS (Inches)

Length	94.5"
Width/Diameter	3.5"
Height	3.1"
Weight (Lbs)	7.7



PACKAGING

		UPC	DIMENSIONS (LxWxH)	GROSS WEIGHT (Lbs)
Master Carton	4	10854432004450	96.7" x 8.5" x 7.5"	44.3
Individual Box	1	854432004453	--	11.1
Country of Origin	China			
HS Tariff	9405.10.6020			

ORDERING

ITEM#	DESCRIPTION	CASE
CV8755	LED VAPOR TIGHT 96" 75W/50K/FR LENS/120-277V/DIMMABLE/V2	4

Manufactured by P.Q.L., Inc. - Manufacturer Model # 55381

ACCESSORIES

LF3502	EMERGENCY PACK FOR LED FIXTURE 16W/90 MIN/SPLIT TYPE/L (For use with drivers that are 100W or less.)	1
--------	--	---