



LD4184 LT. COMMERCIAL • 5YR
LED 48" DESIGNER STRIP
DIRECT LINEAR AMBIENT LUMINARIES

FEATURES

- Diffusing lens for bright, uniform light.
- Low-profile with a limitless range of applications.
- Uses 30% less energy than a linear fluorescent fixture.
- All steel surfaces are painted after fabrication for smooth edges and rounded corners.

MOUNTING

- Designed for surface or suspended chain mounting; individually or in a continuous row.

APPLICATION

Ideal for larger warehouses, retail applications, commercial buildings and work areas.

ELECTRICAL

| | |
|---------------------------------|----------|
| Wattage | 18W |
| Voltage | 120-277V |
| Current | 0.17A |
| Power Factor | 0.9 |
| Total Harmonic Distortion (THD) | 10 |

LIGHTING PERFORMANCE

| | |
|--|--|
| Lumens | 2502 |
| Lumens Per Watt (Lm/W) | 139 |
| Color Temperature (CCT) | 4000K |
| Color Rendering (CRI) | 82 |
| R9 (Red Value) | 4 |
| R13 (Skin Tones) | 81 |
| Beam Angle | 130° |
| Light Distribution | Type II, Very Short |
| BUG Rating (Backlight, Uplight, and Glare) | B1 - U3 - G1 |
| Dimmable Lighting Control | <i>Dimmable</i> 0-10V, Range 10% - 100% |

ENVIRONMENT

| | |
|---------------------------|-------------|
| Operating Temperature | -4° ~ 122°F |
| Suitable Location | DAMP |
| Ingress Protection Rating | IP40 |

LIFESPAN

| | |
|----------------------|----------|
| Average Life (Hours) | 50,000 |
| Warranty (Years) | 5 |

COMPONENTS

| | |
|------------------|------------------|
| LED Light Source | Seoul 3528 |
| Driver | Simon SIE23-I420 |

CONSTRUCTION

| | |
|---------------------|--------------------|
| Housing | 24 Gauge Steel |
| Base / Power Supply | Hard Wired |
| Finish | White Baked Enamel |

QUALIFICATIONS

| | |
|----------------------|-------|
| Manufacturer Model # | 55461 |
|----------------------|-------|



Manufactured by P.Q.L., Inc. - Published lumens on LED products are approximate and may vary slightly. - Specifications are subject to change without notice.

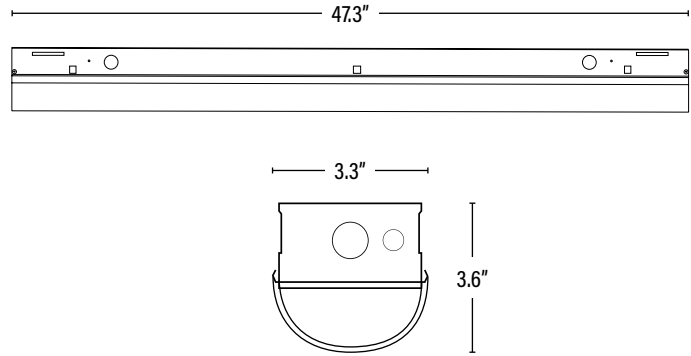
LD4184 LT. COMMERCIAL • 5YR LED 48" DESIGNER STRIP



DIMENSIONS (Inches)

| | |
|--------------|-------|
| Length | 47.3" |
| Width | 3.3" |
| Height | 3.6" |
| Weight (Lbs) | 6.3 |

Line drawings may not be to scale and are for general reference only.



PACKAGING

| | | UPC | DIMENSIONS (LxWxH) | GROSS WEIGHT (Lbs) |
|-------------------|--------------|----------------|----------------------|--------------------|
| Master Carton | 6 | 10811768028840 | 49.6" x 11.7" x 8.4" | 37.9 |
| Individual Box | 1 | 811768028843 | -- | -- |
| Country of Origin | Malaysia | | | |
| HS Tariff | 9405.10.6020 | | | |

ORDERING

| ITEM# | DESCRIPTION | CASE |
|--------|---|------|
| LD4184 | LED 48" DESIGNER STRIP - 18W/40K/120-277V/DIMMABLE/V2 | 6 |

Manufactured by P.Q.L., Inc. - Manufacturer Model # 55461

ACCESSORIES

| | | |
|--------|---------------------------------|---|
| LD3597 | ROW ALIGNER FOR DESIGNER STRIPS | 1 |
|--------|---------------------------------|---|

PERFORMANCE DATA

PACKAGING