



**LF0174** LT. COMMERCIAL • 5YR  
**LED FLOOD LIGHT**  
ARCHITECTURAL FLOOD AND SPOT  
LUMINAIRES

**FEATURES**

- Corrosion resistant die cast housing, with a powder paint coat finish.
- Compact design that separates the LED module from the heat sink to ensure efficient cooling.
- Fixture angle can be easily adjusted.

**APPLICATION**

Ideal for wall washing, landscaping lighting, outdoor advertising and parking lots.

**ELECTRICAL**

Wattage	70W
Voltage	120-277V
Current	--
Power Factor	0.9
Total Harmonic Distortion (THD)	--

**LIGHTING PERFORMANCE**

Lumens	9102
Lumens Per Watt (Lm/W)	126
Color Temperature (CCT)	4000K
Color Rendering (CRI)	70
R9 (Red Value)	--
R13 (Skin Tones)	--
Beam Angle	7H6V
Light Distribution	Type I, Very Short
BUG Rating (Backlight, Uplight, and Glare)	B3 - U1 - G0

Dimmable Lighting Control



**ENVIRONMENT**

Operating Temperature	-40° ~ 104°F
Suitable Location	<b>WET</b>
Ingress Protection Rating	IP65

**LIFESPAN**

Average Life (Hours)	50,000
Warranty (Years)	<b>5</b>

**COMPONENTS**

LED Light Source	LUXEON 3030 2D
Driver	WP-HHG-075U

**CONSTRUCTION**

Housing	Die Cast Aluminum
Lens	PC
Base / Power Supply	Hard Wired
Finish	Bronze

**QUALIFICATIONS**

Manufacturer Model #	84138
----------------------	-------



Manufactured by P.Q.L., Inc. • Published lumens on LED products are approximate and may vary slightly. • Specifications are subject to change without notice.

PERFORMANCE DATA

PACKAGING

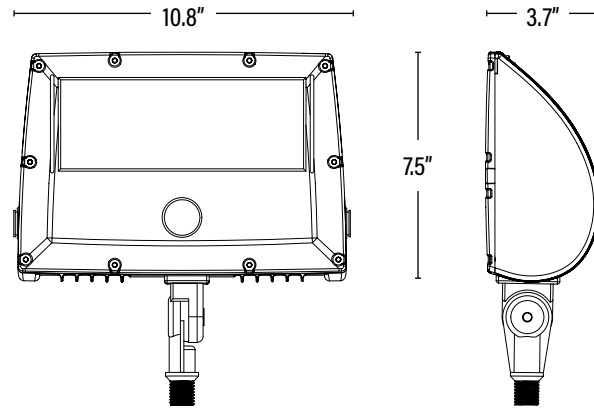
# LF0174 LT. COMMERCIAL • 5YR LED FLOOD LIGHT



## DIMENSIONS (Inches)

Length	10.8"
Width	3.7"
Height	7.5"
Weight (Lbs)	--

Line drawings may not be to scale and are for general reference only.



PACKAGING	UPC	DIMENSIONS (LxWxH)	GROSS WEIGHT (Lbs)	
Master Carton	1	811768020915	12.6" x 12.6" x 5.5"	7.9
Country of Origin	China			
HS Tariff	9405.10.6020			

## ORDERING

ITEM#	DESCRIPTION	CASE
LF0174	LED 70W FLOOD LIGHT - 1/2" KNUCKLE/40K/120-277V/BRONZE/V2	1

Manufactured by P.Q.L., Inc. - Manufacturer Model # 84138

PERFORMANCE DATA

PACKAGING